



**February 5, 2024**

**CANCELLATION NOTICE**

**DEER PARK ELEMENTARY SCHOOL WINDOW REPLACEMENT**

**IFB 008-0-2024/SNB**

This solicitation, IFB 008-0-2024/SNB is hereby cancelled in its entirety and may be resolicited at a future date.

Thank you,

Shannon Bailey, VCO, VCCO  
Director of Procurement  
757-591-4560  
[shannon.bailey1@nn.k12.va.us](mailto:shannon.bailey1@nn.k12.va.us)



**INVITATION FOR BIDS**

**DATE: December 7, 2023**

**Newport News Public Schools**

**ISSUING OFFICE:**

PURCHASING DEPARTMENT  
12465 WARWICK BOULEVARD  
NEWPORT NEWS, VA 23606-3041  
TELEPHONE: (757) 591-4525  
FAX: (757) 591-4593

Attention of Bidder is Directed To Section  
2.2-4367 to 2.2-4377 Code of Virginia  
(Ethics In Public Contracting)

<b>BID ITEM NO.</b> 008-0-2024/SNB
<b>PROCUREMENT OFFICER</b> Shannon Bailey, VCCO, VCO
<b>OPENING DATE</b> January 19, 2024
<b>OPENING TIME</b> 2:00 PM EST
<b>PREBID CONFERENCE MANDATORY</b> <b>DATE:</b> January 3, 2024 <b>TIME:</b> 10:00 AM EST

**SEALED BIDS** will be received in the issuing office above until Opening Date and Opening Time as specified in this solicitation to include any addendums issued by this office. Newport News Public Schools is not responsible for late delivery by U. S. Postal mail or other couriers.

All inquiries for information regarding this Invitation for Bid should be directed to the Buyer listed in this IFB or 757-591-4525

**COMMODITY: Window Replacement**

**NIGP CODE: 90937, 15095,  
91079, 91080, 90927, 91484**

**PLEASE FILL IN BIDDER'S NAME & ADDRESS IN THE SPACES PROVIDED BELOW:**

**THIS IS NOT AN ORDER**

\_\_\_\_\_  
\_\_\_\_\_  
\_\_\_\_\_

THE NEWPORT NEWS SCHOOL BOARD, HEREAFTER REFERRED TO AS NEWPORT NEWS PUBLIC SCHOOLS (NNPS) ALSO REFERRED TO AS "OWNER", RESERVES THE RIGHT TO ACCEPT OR REJECT ANY OR ALL BIDS IN WHOLE OR IN PART AND TO WAIVE ANY INFORMALITIES IN THE BID PROCESS AND RESERVES THE RIGHT TO ENTER INTO ANY CONTRACT DEEMED TO BE IN ITS BEST INTEREST. THE SPECIFICATIONS IN THIS BID ARE INTENDED AS A QUALITY INDICATOR AND GUIDE FOR BIDDING AND UNLESS OTHERWISE STATED, NNPS WILL CONSIDER ALTERNATE BIDS OF EQUAL OR BETTER QUALITY, WHICH WILL BE ACCOMPANIED BY DESCRIPTIVE LITERATURE. THE ENTIRE CONTENTS OF THIS INVITATION FOR BID, ANY ADDENDA, AND BIDDER'S RESPONSE SHALL BE INCORPORATED INTO ANY RESULTING CONTRACT.

**NNPS DOES NOT DISCRIMINATE AGAINST FAITH-BASED ORGANIZATIONS.**

**Deer Park Elementary School Window Replacement**

**ACKNOWLEDGE RECEIPT OF ADDENDUM: #1 \_\_\_\_\_ #2 \_\_\_\_\_ #3 \_\_\_\_\_ #4 \_\_\_\_\_ (Please Initial)**

IN COMPLIANCE WITH THIS BID, AND TO ALL THE CONDITIONS IMPOSED HEREIN, THE UNDERSIGNED AGREES TO EXECUTE ANY CONTRACT AS A RESULT OF THIS BID. THE UNDERSIGNED OFFERS AND AGREES TO FURNISH THE GOODS/SERVICES AT THE PRICE(S) INDICATED ON THE PRICING SCHEDULE. THE FOLLOWING SECTION SHALL BE SIGNED BY AN AGENT AUTHORIZED TO BIND THE BIDDER/COMPANY. FAILURE TO MAKE THIS COMMITMENT MAY RESULT IN BID REJECTION.

---

Authorized Agent	Signature	Type or Print Name	Email Address
Company FEI/FIN#		Phone Number	FAX Number

**SPECIFIC LEGAL REQUIREMENTS**

**ANTI-COLLUSION:**

In the preparation and submission of this bid/proposal, said bidder/offeree did not either directly or indirectly enter into any combination or arrangement with any person, firm or corporation, or enter into any agreement, participate in any collusion, or otherwise take any action in violation of the Sherman Act (15 U.S.C. Section 1), Sections 59.1-9.1 through 59.1-9.17 or Sections 59.1-68.6 through 59.1-68.8 of the Code of Virginia. The undersigned bidder/offeree hereby certifies that this agreement, or any claims resulting therefrom, is not the result of, or affected by, any act of collusion with, or any act of, another person or persons, firm or corporation engaged in the same line of business or commerce; and, that no person acting for, or employed by, NNPS has an interest in, or is concerned with, this bid/proposal; and, that no person or persons, firm or corporation other than the undersigned, have, or are, interested in this bid/proposal.

**DRUG-FREE WORKPLACE:**

During the performance of this contract, the successful bidder/offeree agrees to (i) provide a drug-free workplace for the successful bidder's/offeree's employees; (ii) post in conspicuous places, available to employees and applicants for employment, a statement notifying employees that the unlawful manufacture, sale, distribution, dispensation, possession, or use of a controlled substance or marijuana is prohibited in the successful bidder's/offeree's workplace and specifying the actions that will be taken against employees for violations of such prohibition; (iii) state in all solicitations or advertisements for employees placed by or on behalf of the successful bidder/offeree that the successful bidder/offeree maintains a drug-free workplace; and (iv) include the provisions of the foregoing clauses in every subcontract or purchase order of over \$10,000, so that the provisions will be binding upon each successful bidder/offeree or vendor. For the purpose of this section, "drug-free workplace" means a site for the performance or work done in connection with a specific contract awarded to a successful bidder/offeree in accordance with federal law, the employees of whom are prohibited from engaging in the unlawful manufacture, sale, distribution, dispensation, possession or use of any controlled substance or marijuana during the performance of the contract.

**EMPLOYMENT DISCRIMINATION BY THE SUCCESSFUL BIDDER/OFFEROR SHALL BE PROHIBITED:**

1. During the performance of this contract, the successful bidder/offeree agrees as follows:
  - a. Bidder/offeree shall not discriminate against any employee or applicant for employment because of race, religion, color, sex, national origin, age, disability, or any other basis prohibited by state law relating to discrimination in employment, except where there is a bona fide occupational qualification reasonably necessary to the normal operation of the successful bidder/offeree. The successful bidder/offeree agrees to post in conspicuous places, available to employees and applicants for employment, notices setting forth the provisions of this nondiscrimination clause.
  - b. Successful bidder/offeree, in all solicitations or advertisements for employees placed by or on behalf of the successful bidder/offeree, shall state that such successful bidder/offeree is an equal opportunity employer.
  - c. Notices, advertisements, and solicitations placed in accordance with federal law, rule or regulation shall be deemed sufficient for the purpose of meeting the requirements of this section.
2. Successful bidder/offeree shall include the provisions of the foregoing Subsections a, b, and c in every subcontract or purchase order of over \$10,000, so that the provisions will be binding upon each subcontractor or vendor.

**COMPLIANCE WITH STATE LAW; FOREIGN AND DOMESTIC BUSINESSES AUTHORIZED TO TRANSACT BUSINESS IN THE COMMONWEALTH:**

1. A contractor organized as a stock or nonstock corporation, limited liability company, business trust, or limited partnership or registered as a registered limited liability partnership shall be authorized to transact business in the Commonwealth as a domestic or foreign business entity if so required by Title 13.1 or Title 50 or as otherwise required by law.
2. A bidder/offeree organized or authorized to transact business in the Commonwealth pursuant to Title 13.1 or Title 50 will include in its bid or proposal the identification number issued to it by the State Corporation Commission in the space provided below. Any bidder/offeree that is not required to be authorized to transact business in the Commonwealth as a foreign business entity under Title 13.1 or Title 50 or as otherwise required by law shall include in its bid or proposal a statement why the bidder/offeree is not required to be so authorized. Bidder/offeree is to include the VA Code reference authorizing the exemption in said statement.
3. Any bidder/offeree described in the foregoing Subsection 2. that fails to provide the required information shall not receive an award unless a waiver of this requirement is granted by the Superintendent or designee.
4. Any business entity described in the foregoing Subsection 1. that enters into a contract with NNPS shall not allow its existence to lapse or its existence to lapse or its certificate of authority or registration to transact business in the Commonwealth, if so required under Title 13.1 or Title 50, to be revoked or cancelled at any time during the term of the contract.

**Name and Address of BIDDER/OFFEROR:**

Date: \_\_\_\_\_ Authorized Signature: \_\_\_\_\_

Printed Name: \_\_\_\_\_ Title: \_\_\_\_\_

PhoneNumber: \_\_\_\_\_ FaxNumber: \_\_\_\_\_

Email Address: \_\_\_\_\_

**Federal Tax Identification Number/Social Security Number:** \_\_\_\_\_

**State Corporation Commission Identification Number:** \_\_\_\_\_

Is bidder/offeree a "minority" business?  Yes  No If yes, please indicate the "minority" classification below:

African American  Hispanic American  Native American  Asian American  Other; Please Explain:

Service Disabled Veteran?  Yes  No

Service Disabled Veteran Business?  Yes  No

Woman Owned?  Yes  No

Small Business?  Yes  No

Faith-Based Organization?  Yes  No

TABLE OF CONTENTS

I.	<u>SCOPE OF WORK</u>	5
II.	<u>SPECIAL INSTRUCTION TO THE BIDDER</u>	7
III.	<u>GENERAL TERMS AND CONDITIONS</u>	11
IV.	<u>SPECIAL TERMS AND CONDITIONS</u>	20

**Attachment A:** Bid Form (include with bid)

**Attachment B:** Product Specification

**Attachment C:** Certification for Contractor's Near Students (include with bid)

**Attachment D:** Contractor Questionnaire Form (include with bid)

## I. SCOPE OF WORK

### A. GENERAL REQUIREMENTS

1. Remove and replace existing windows at Deer Park Elementary School located at 11541 Jefferson Avenue Newport News, Virginia 23601 hereafter referred to as the "Project".

### B. SPECIFIC REQUIREMENTS

1. Replacement of approximately ninety-five (95) existing windows at Deer Park Elementary School.
2. Furnish and install YKK 2" x 4 1/2" thermally broken window system with glass vent installed (or equivalent) where stated below. Finish on the framing to be Bronze Anodized. (See attached YES 45 TU Front) Web address for spec is: <https://www.ykkap.com/commercial/productguide/storefront/yes45tufront/>
3. Frames to be glazed with tempered 1" Clear insulated Low E energy efficient glass. (Obscure glass required in bathrooms).
4. Contractor to demo all windows and will be responsible for removal and disposal of the existing materials necessary to install new.
5. Interior and exterior caulking is to be included. Windows will be non-opening though some with a thermally broken vent. (See attached YES SSG TU Vent) Web address for spec is: <https://www.ykkap.com/commercial/productguide/windows/yesssgtu/>
6. Contractor shall provide installation of new windows/panels with removal/disposal of old windows/panels.
7. High performance sill flashing required to handle any water as well as a head receptor to handle any building movement.
8. All areas above the current windows where ACT is located shall be reworked and trimmed out properly to accept the new window frames.
9. Repair all areas around windows that may receive damage from demolition/installation and repaint to match existing adjacent wall areas.
10. Bidder or their authorized representatives are expected to fully inform themselves as to the conditions, requirement, and specifications before submitting bids; failure to do so will be at the bidder's own risk and he/she cannot secure relief on the plea of error.

#### Demolition/Installation:

Type "A" Windows:	51 each
Type "B" Windows:	28 each
Type "C" Windows:	2 each
Type "D" Windows:	1 each
Type "E" Windows:	2 each
Type "F" Windows:	2 each
Type "G" Windows:	3 each
Type "J" Windows:	2 each
Type "K" Windows:	1 each
Type "L" Windows:	3 each

Approx total: 95 each

#### Window Vent Installation:

Type "A" Windows – 3 windows with 1 vent in center  
Type "B" Windows – 2 windows with 1 vent  
Type "C" Windows – 2 windows with 1 vent  
Type "D" Windows – 1 window with 1 vent  
Type "E" Windows – 3 windows with 1 vent in center  
Type "F" Windows – 1 window with 1 vent

Type "G" Windows – determined at pre-bid  
Type "J" Windows – 4 windows with 1 vent  
Type "K" Windows – 1 window with 1 vent  
Type "L" Windows – determined at pre-bid

Clarifications/Exclusions:

1. This Scope of Work takes precedence over all other Scopes of Work.
2. Contractors shall review ALL sections of the scope of work to ensure that all requirements for each work package is included.
3. Field verification of existing conditions applicable to the specific work is required during the mandatory pre-bid conference. All measurements and quantities supplied in this scope are approximate and supplied as a convenience for the Bidder.
4. Contractor to ensure that their work areas are cleaned daily to ensure a safe, clean, and orderly work site.
5. This bid assumes no permit will be required as this will be a maintenance and repair project.
6. Professional Engineer (PE) stamped drawings are specifically excluded from this project.
7. Any necessary structural repairs that are uncovered during demolition shall be the sole responsibility of the Contractor to repair in order to accept the new window installation.
8. Storage of new windows delivered prior to project take-off shall be the sole responsibility of the Contractor. Storage containers on-site will be an option discussed with successful bidder.
9. Any hazardous material abatement shall be the responsibility of the Owner.
10. Bidder shall price the brand name of the spec materials or an approved equivalent. The Contractor is not restricted to specific brand, make, or manufacturer, however, the quality and product characteristics must be equal to or better than the product listed in the IFB. The bidder is responsible to clearly and specifically identify the product being offered and to provide sufficient descriptive literature, to enable NNPS, in its sole discretion to determine if the product offered meets the requirements of the solicitation. This is required even if offering exact brand, make or manufacturer specified. Failure to furnish adequate data for evaluation purposes may result in declaring a bid nonresponsive. Unless the bidder clearly indicates in its bid that the product offered is an equivalent product, such bid will be considered to offer the brand name product referenced in the solicitation.

## II. SPECIAL INSTRUCTIONS TO THE BIDDER

### A. Issuing Office:

Wherever used in this Invitation for Bid, Issuing Office will be:

Shannon Bailey, VCCO, VCO  
Director of Procurement  
Newport News Public Schools Purchasing Department  
12465 Warwick Boulevard  
Newport News, VA 23606-3041  
Phone: (757) 591-4560  
Fax: (757) 591-4593  
Email: [shannon.bailey1@nn.k12.va.us](mailto:shannon.bailey1@nn.k12.va.us)

### B. NNPS Project Manager/Contract Administrator:

Wherever used in this Invitation for Bid and for purposes of any notices under this contract, the NNPS /Project Manager/Contract Administrator will be:

Gregory Harrow, CEFPP  
Supervisor of Plant Services, Maintenance  
12580 Patrick Henry Dr.  
Newport News, VA 23602  
Phone: (757) 881-5024, Ext. 14103  
Email: [gregory.harrow@nn.k12.va.us](mailto:gregory.harrow@nn.k12.va.us)

**Note:** The Project Manager will provide administration of the Contract and will be the Owner's Representatives (1) during construction and (2) until final payment is made.

### C. Contact with NNPS Staff, Representatives, and/or Agents:

Direct contact with NNPS staff, representatives, and/or agents other than Purchasing Department staff on the subject of this IFB or any subject related to this IFB is expressly prohibited except with the prior knowledge and permission of the Purchasing Director

### D. Pre-Bid Conference:

A Mandatory pre-bid conference will be held at **Deer Park Elementary School, 11541 Jefferson Avenue, Newport News, VA 23601** on **Wednesday, January 3, 2024 at 10:00 AM, Eastern Time** to answer any questions regarding this IFB. Any changes determined necessary as a result of this conference or any other source that may affect the responses to the bid will be formally addressed by the Issuing Office via addenda.

Due to the importance of all bidders having a clear understanding of the specifications/scope of work and requirements of this solicitation, attendance at the mandatory conference is a prerequisite for submitting a proposal. Bids will only be accepted from those vendors who were represented at the mandatory pre-bid conference.

### E. Site Visit:

Immediately following the mandatory pre-bid conference, NNPS will conduct a mandatory site visit.

### F. Bidders of Record:

Bidders receiving a copy of this IFB from a source other than the Issuing Office via the [www.eVA.virginia.gov](http://www.eVA.virginia.gov) web site must contact the Issuing Office and provide Bidder's name, address, contact person, telephone and fax number, and the IFB Item Number.

**G. Examination of Contract Documents and Project Site:** It is the responsibility of each Bidder before submitting a Bid:

- a. To examine thoroughly the Bid Documents;
- b. To visit the site to become familiar with and satisfy the Bidder as to the general, local and site conditions that may affect cost, progress, performance, or furnishing of the Work; **BIDDER IS REQUIRED TO COORDINATE ALL SITE VISITS THROUGH THE OWNER PRIOR TO COMING ON NNPS PROPERTY.**
- c. To study and carefully correlate the Bidder's knowledge and observations with the Bid Documents and such other related data; and;
- d. To promptly notify the Owner of all conflicts, errors, ambiguities, or discrepancies which the Bidder has discovered in or between the Bid Documents and such other related documents or field/site conditions.

**H. Questions:**

Submit questions regarding the Invitation for Bid in writing to the Issuing Office at [Shannon.bailey1@nn.k12.va.us](mailto:Shannon.bailey1@nn.k12.va.us) no later than **Monday, January 8, 2024, 4:00 P.M. Eastern Time**. Necessary replies will be issued to all Bidders of record as addenda that shall become part of the contract documents. Oral instructions do not form a part of the bid documents.

Bidder is responsible for checking the [www.eVA.virginia.gov](http://www.eVA.virginia.gov) website or contacting the Issuing Office within 48 hours prior to bid closing to secure any addenda affecting this IFB.

**I. Changes or Modifications:**

Changes or modifications to this Invitation for Bids made prior to the date and time of closing will be addressed by addenda from the Issuing Office. Acknowledge receipt of addenda in the space provided on the cover page of this Invitation for Bid. Oral modifications shall not form a part of the Bid documents. This IFB and any addenda shall be incorporated, by reference, into any resulting contract.

**J. Bid Submittal Requirements:**

1. Each Bid submission shall be submitted to the Issuing Office and will include the following documents:
2. The cover page of this Invitation to Bid, which will contain:
  - (1) Original signature of an agent authorized to bind the company;
  - (2) Acknowledgment of any addenda on page one (1); and
  - (3) Registered Virginia Contractor No. and Class;
- b. Bid Form (**Attachment A**);
- c. Completed and signed anti collusion/nondiscrimination clauses on page 2 of this IFB;
- d. Signed Certification of Compliance with Code of Virginia, §22.1-296.1;
- e. Completed Contractor's Qualification Statement;
- f. Copy of Contractor's valid Commonwealth of Virginia Contractor License;
- g. To ensure reasonable emergency response time (4 hours or less), Contractor shall submit addresses of General Contractor's offices that list an operational office that is no more than 250 miles driving distance from the Project site.

**Note: Each Bidder shall submit with its bid that is \$100,000.00 or more, a bid bond from a surety company selected by the Bidder that is authorized to do business in Virginia, or cashier's check, payable to Newport News Public Schools equal to five percent (5%) of the total bid price. The Bid Bond is a guarantee that if the contract is awarded to the Bidder, he will enter into the contract for the work mentioned in the bid.**

3. Bidder shall submit one original and one (1) copy of its Bid. This original of the Bid shall contain the original signature of the contracting authority.
4. Submit Bids in a sealed envelope or package. Clearly label the shipping/mailling packaging as well as the outside of your sealed envelope or package with the Bid Item No., Closing Date and Time, and your firm's name and address. **Bids received by telephone, telegraph, facsimile, or any other means**



**of electronic transfer shall not be accepted.** Bids will be received on or before the date and the hour and at the place stipulated in the Invitation to Bids as may be modified by subsequent Addenda. Purchasing Department operating hours are on the NNPS website at <http://sbo.nn.k12.va.us/index.html>.

The official time used for the receipt of responses is determined by reference to the clock designated by the Procurement Officer. The Procurement Officer shall determine when the Bid Receipt Deadline has arrived and shall announce that the Deadline has arrived and that no further bids or bid modifications will be accepted.

5. Bidders are encouraged to submit their bids on recycled paper and to use double-sided copying.
6. Bidder Qualification:

To demonstrate its qualifications to perform the Work, each Bidder shall be prepared to submit further written satisfactory evidence that the Bidder has sufficient experience, necessary capital, materials, machinery and skilled workers to complete the Work. If financial statements are required they shall be of such date as the Owner shall determine and shall be prepared on forms acceptable to the Owner. The Owner may make any such investigations as deemed necessary to determine the ability of the Bidder to perform the Work. The Owner's decision or judgment on these matters shall be final, conclusive and binding.

7. Subcontractor Qualification:

Each Bidder shall submit to the Owner a list of all Subcontractors who will be performing work on the Project, within ten (10) days following Notice of Award. Such list shall be accompanied by an experience statement with pertinent information as to similar projects and other evidence of experience and qualifications of each such Subcontractor, person and organization. If the Owner, after due investigation, has reasonable objection to any proposed Subcontractor, other person and organization, the Owner may, before giving the Notice of Award, request the apparent low Bidder to submit an acceptable substitute. If the apparent low Bidder declines to make any such substitution, the contract shall not be awarded to such Bidder. For any Subcontractors, other persons, or organization so listed and to whom Owner does not make written objection prior to issuing the Notice of Proceed, it will be deemed the Owner has no objection.

8. Responsibility of the Bidder:

By submitting their Bid, Bidders certify that:

They are not now debarred by the Federal Government or by the Commonwealth of Virginia or by any other state, or by any town, city, or county, from submitting Bids on contracts for construction covered by this solicitation, nor are they an agent of any person or entity that is now so debarred;

Bidder has sufficient financial ability to perform the Contract and Contractor can acquire a surety bond from a corporation included on the United States Treasury list of acceptable surety corporations in the amount and type required by the Owner;

Bidder (including any officer, director or owner thereof) has not had judgments entered against Bidder within the past ten years for the breach of contracts for governmental or nongovernmental construction, including, but not limited to, design-build or construction management;

Bidder has not been in substantial noncompliance with the terms and conditions of prior construction contracts with a public body without good cause. For the purpose of this paragraph, substantial noncompliance must be documented in writing in the construction project file and any such information relating thereto given to the contractor at that time, with the opportunity to respond.

**K. Proprietary Information/Disclosure:**

Bidder is advised that the Virginia Public Procurement Act (Section 2.2-4342, Code of Virginia, 1950 as amended)

shall govern public inspection of all records submitted by Bidder. Specifically, if Bidder seeks to protect any proprietary data or materials, pursuant to Section 2.2-4342.

Bidder shall:

- (i) invoke the protections of this section prior to or upon submission of the data or other materials,
- (ii) identify the data or other materials to be protected,
- (iii) State the reasons why protection is needed.

Furthermore, the Bidder shall submit proprietary information under separate cover, and the Owner reserves the right to submit such information to the Owner's attorney for concurrence of the Bidder's claim that it is in fact proprietary.

References may be made within the body of the bid to proprietary information; however, all information contained within the body of the bid not labeled proprietary or otherwise not meeting all three of the requirements of Section 2.2-4342 shall be public information in accordance with State statutes. Trade secrets or proprietary information submitted by a Bidder in conjunction with this IFB are not subject to public disclosure under the Virginia Freedom of Information Act (VFOIA). However, Bidder must invoke the protection of the VFOIA prior to or upon submission of the data or other materials. Information submitted that does not meet the above requirements will be considered public information in accordance with the VFOIA.

An all-inclusive statement that the entire bid is proprietary is unacceptable. A statement that Bidder's costs and/or bid pricing are to be protected is unacceptable. Bidder will be requested to remove any such statement(s) in order to be eligible for further evaluation and award.

**L. Notice of Award:**

Any contract resulting from this IFB will be publicly posted for inspection on the eVA.virginia.gov website as well as in the NNPS Purchasing Department, 12465 Warwick Boulevard, Newport News, Virginia.

**M. Award:**

Owner may elect to award a contract to more than one vendor.

The award of contracts shall be at the sole discretion of the Owner. Unless cancelled or rejected, a responsive bid from the lowest responsible bidder shall be accepted as submitted, except that if the bid from the lowest responsible bidder exceeds available funds, Owner may negotiate with the apparent low bidder to obtain a contract price within available funds. The Owner reserves the right to accept or reject any or all bids in whole or in part and to waive any informalities in the process. Furthermore, the Owner reserves the right to enter into any contract deemed to be in the Owner's best interest.

**N. IFB Opening:**

Bidder shall ensure their bid is time stamped by the Issuing Office no later than the Opening Date and Time shown on the cover page of this Invitation for Bid. Bids received after the specified date and time (time stamped 2:01 P.M. or later) shall not be considered and will be returned unopened to Bidder.

**O. Withdrawal of Bids:**

A bidder for a contract may request withdrawal of his or her bid under the following circumstances:

1. A bidder may withdraw his bid from consideration if the price bid was substantially lower than the other bids due solely to a mistake in the bid, provided the bid was submitted in good faith, and the mistake was a clerical mistake as opposed to a judgment mistake, and was actually due to an unintentional arithmetic error or an unintentional omission of a quantity of work, labor or material made directly in the compilation of a bid, which unintentional arithmetic error or unintentional omission can be clearly shown by objective evidence drawn from inspection of original work papers, documents and materials used in the preparation of the bid sought to be withdrawn.

2. If a bid contains both clerical and judgment mistakes, a bidder may withdraw his bid from consideration if the price bid would have been substantially lower than the other bids due solely to the clerical mistake, that was an unintentional arithmetic error or an unintentional omission of a quantity of work, labor or material made directly in the compilation of a bid that shall be clearly shown by objective evidence drawn from inspection of original work papers, documents and materials used in the preparation of the bid sought to be withdrawn.
3. Requests for withdrawal of bids prior to opening of such bids shall be transmitted to the NNPS Purchasing Agent in writing.
4. Requests for withdrawal of bids after opening of such bids but prior to award shall be transmitted to the NNPS Purchasing Agent, in writing, accompanied by full documentation supporting the request. The bidder shall give notice in writing of his claim of right to withdraw his bid within two (2) business days after the conclusion of the bid opening procedure and shall submit original work papers with such notice. If bid bonds were tendered with the bid, NNPS reserves its right to exercise collection.

No bid may be withdrawn under this section when the result would be the awarding of the contract on another bid of the same bidder or of another bidder in which the ownership of the withdrawing bidder is more than five percent. If a bid is withdrawn under the authority of this paragraph, the lowest remaining bid shall be deemed to be the low bid. No bidder who is permitted to withdraw a bid shall, for compensation, supply any material or labor to or perform any subcontract or other work agreement for the person or firm to whom the contract is awarded or otherwise benefit, directly or indirectly, from the performance of the project for which the withdrawn bid was submitted.”

**P. Disposition of Bids:**

All materials submitted in response to this IFB shall become the property of the Owner. One (1) copy of each bid will be retained for official files. Said copy will become public record after award of the contract and will be open to public inspection subject to the Proprietary Information/Disclosure section of this IFB.

**Q. Cost of Responding:**

This solicitation does not commit the Owner to pay any costs incurred by the Bidder or any other party in the preparation and/or submission of bids or in making necessary studies or designs for the preparation thereof, nor is the Owner obligated to procure or contract for such services.

### III. GENERAL TERMS AND CONDITIONS

**A. Definitions**

**The Contract Documents** consist of the solicitation for bids, the Bid Pricing Form, including Specifications, Addenda issued prior to the execution of the Contract, and Modifications issued after execution of the Contract.

**The Contract** is formed by and consists of the Contract Documents.

**The Owner** is the Newport News School Board also sometimes referred to as the Newport News Public Schools or NNPS.

**The Work** means the construction and services required by the Contract Documents, whether completed or partially completed, and includes all other labor, materials, equipment and services provided or to be provided by the Contractor to fulfill the Contractor’s obligations. The Work may constitute the whole or part of a Project.

**The Extra Work** means approved construction and services added to the Project.

**The Project** is the total construction of which the work performed under the Contract Documents may be the whole or part and which may include construction by the Owner and by separate contractors.

**The Drawings** are graphic and pictorial portions of the Contract Documents showing the design, location, and dimensions of the Work, generally including plans, elevations, sections, details, schedules, and diagrams.

**The Specifications** are that portion of the Contract Documents consisting of written requirements for materials,

equipment, systems, standards, and workmanship for the Work, and performance of related services.

**The Project Manager** is the person or entity identified as such in the Contract and is referred to throughout the Contract Documents as if singular in number. The term Project Manager means the Project Manager or the Project Manager's authorized representative.

**The Written Notice to Proceed** is a document issued by the Owner Representative requiring the Contractor to begin Work within a time specified in the Notice to Proceed.

**The Change Order** is a written instrument prepared by the Project Manager or Architect/Engineer and signed by the Owner, Architect/Engineer, and Contractor, stating their agreement upon all of the following:

1. a change in the Work;
2. the amount of the adjustment in the Contract Sum, if any; and
3. the extent of the adjustment in the Contract Time, if any.

**The Construction Change Directive** is a written order prepared by the Project Manager or Architect/Engineer and signed by the Owner, Project Manager (if different from Owner), and Architect/Engineer, directing a change in the Work and stating a proposed basis for adjustment, if any, in the Contract Sum or Contract Time, or both.

**The Contract Time** is the period of time, including authorized adjustments, allotted in the Contract Documents for Substantial Completion of the Work.

**Substantial Completion** is the stage in the progress of the Work when the Work or designated portion thereof is sufficiently complete in accordance with the Contract Documents so the Owner can occupy or utilize the Work for its intended use.

**The Contract Sum** is stated in the Contract and, including authorized adjustments, is the total amount payable by the Owner to the Contractor for performance of the Work under the Contract Documents.

#### **B. Administration of the Contract:**

The Project Manager will provide administration of the Contract and will be the Owner's Representatives (1) during construction and (2) until final payment is made. The Owner's Representative will advise have the authority to act on behalf of the Owner only to the extent provided in the Contract Documents, unless otherwise modified by written instrument in accordance with other provisions of the Contract.

#### **C. Contract Document:**

The Contract represents the entire and integrated agreement between the parties and supersedes prior negotiations, representations or agreements, either written or oral. The Contract may be amended or modified only by a Modification. The Contract Documents shall not be construed to create a contractual relationship of any kind (1) between the Contractor and the Architect/Engineer or the Architect's/Engineer's consultants, (2) between the Owner and a Subcontractor or Sub-subcontractor, (3) between the Owner and the Architect/Engineer or Architect's/Engineer's consultants, or (4) between any persons or entities other than the Owner and the Contractor. The Contract Documents are complementary and what is called for by one shall be as binding as if called for by all.

#### **D. Contract Modification(s):**

A Modification is (1) a written amendment to the Contract signed by both parties, (2) a Change Order, (3) a Construction Change Directive, or (4) a written order for a minor change in the Work. After award, any and all modification to the Contract shall be made by a Modification. The Owner's standard to modify the Contract is the acceptance of standard AIA documents G701 in its latest edition, properly executed by the Owner, and Contractor with subsequent issuance of a change order (purchase order).

#### **E. Bidder Obligation:**

Bidder shall carefully examine the contents of this Invitation for Bid and any subsequent addenda. Failure to do so shall not relieve the Successful Bidder of its obligation to note any exceptions (see Exceptions/Alternatives section) and to fulfill the requirements of this contract

#### **F. Conditions Of Work:**

Bidders shall inform themselves fully of the conditions relating to services required herein. Failure to do so will not

relieve a Successful Bidder of the obligation to furnish all goods and/or services necessary to carry out the provisions of this contract

**G. Bid Binding For Ninety (90) Days:**

Bidder agrees that this bid shall be binding and may not be withdrawn for a period of ninety (90) calendar days after the scheduled closing date of this Invitation For Bid

**H. Prime Contractor:**

If in its performance of this contract, Successful Bidder supplies goods or services by or through another party or subcontractor, Successful Bidder agrees that:

1. Successful Bidder shall act as the prime contractor for the goods and services to be provided under contract and shall be the sole point of contact with regard to all obligations under this contract.
2. Successful Bidder represents and warrants that Successful Bidder has made third parties or subcontractors aware of the proposed use and disposition of the other party's products or services, and that such other party has agreed in writing that it has no objection and that OWNER is not liable to such third parties or subcontractors for any work performed under this contract.

The use of subcontractors and the work they perform must receive the prior written approval of Owner. The Owner will designate a Contract Administrator to approve such work.

3. Successful Bidder shall be solely responsible for all work performed and materials provided by subcontractors.
4. Successful Bidder shall be responsible for the liability of subcontractors for the types and limits required of the Successful Bidder under this contract.

**I. Subcontractors:**

Successful Bidder's use of subcontractors and the work they are to perform must receive written approval from the Owner.

Successful Bidder shall be solely responsible for all work performed and materials provided by subcontractors. Successful Bidder shall be responsible for the liability of subcontractors for the types and limits required of the Successful Bidder.

**J. Non-Assignment:**

Successful Bidder shall not assign its rights and duties under this Agreement without the prior written consent of the NNPS Contract Administrator.

**K. Antitrust:**

Any perceived anti-trust violation shall be reported to the State Attorney General for possible enforcement of anti-trust laws.

**L. Anti-collusion/Nondiscrimination Requirements Form:**

The attached "Anti-collusion/Nondiscrimination Requirements" form, on page 2 of this IFB, shall be executed by Bidder and is to be submitted with Bidder's bid. The requirements set forth on said form shall be considered to be binding terms and conditions in any contract resulting from this IFB. A contract will not be awarded to a Bidder who has not signed the anti-collision/nondiscrimination statement.

**M. Compliance with Federal, State, and Local Laws and Federal Immigration Law:**

Contractor does not, and shall not during the performance of the contract for goods and services in the Commonwealth, knowingly employ an unauthorized alien as defined in the federal Immigration Reform and Control Act of 1986.

**N. Compliance with state law; foreign and domestic businesses authorized to transact business in the Commonwealth:**

Contractor organized as a stock or nonstock corporation, limited liability company, business trust, or limited partnership or registered as a registered limited liability partnership shall be authorized to transact business in the Commonwealth as a domestic or foreign business entity if so required by Title 13.1 or Title 50 or as otherwise required by law. Contractor shall not allow its existence to lapse or its certificate of authority or registration to transact business in the Commonwealth, if so required under Title 13.1 or Title 50, to be revoked or cancelled at any time during the term of the contract. NNPS may void any contract with the Contractor if the Contractor fails to remain in compliance with the provisions of this section.

**O. Hold Harmless/Indemnification:**

It is understood and agreed that Successful Bidder hereby assumes the entire responsibility and liability for any and all material damages to persons or property caused by or resulting from or arising out of any act or omission on the part of Successful Bidder, its subcontractors, agents or employees under or in connection with this Contract or the performance or failure to perform any work required by this Contract. Successful Bidder agrees to indemnify and hold harmless Owner and its agents, volunteers, servants, employees and officials from and against any and all claims, losses, or expenses, including reasonable attorney's fees and litigation expenses suffered by any indemnified party or entity as the result of claims or suits due to, arising out of or in connection with (a) any and all such damages, real or alleged, (b) the violation of any law applicable to this Contract, and (c) the performance of the work by Successful Bidder or those for whom Successful Bidder is legally liable. Upon written demand by the Owner, Successful Bidder shall assume and defend at Successful Bidder's sole expense any and all such suits or defense of claims made against the Owner, its agents, volunteers, servants, employees or officials.

**P. Notices:**

All notices, requests, demands, and elections under this contract, other than routine operational communications, shall be in writing and shall be deemed to have been duly given on the date when hand-delivered, or on the date of the confirmed facsimile transmission, or on the date received when delivered by courier that has a reliable system for tracking delivery, or six (6) NNPS business days after the date of mailing when mailed by United States mail, registered or certified mail, return receipt requested, postage prepaid. All notices shall be addressed to the following individuals:

To Owner: NNPS Contract Administrator as designated in this IFB.

To Successful Bidder: Successful Bidder's Contract Administrator as defined in Successful Bidder's bid. Either party may from time to time change the individual(s) to receive notices and/or its address for notification purposes by giving the other party written notice as provided above.

**Q. Non-Responsive Performance:**

(1) Delivery Delays: Owner reserves the right to procure goods and/or services to be provided under this contract from other sources in the event Successful Bidder fails to deliver such goods and/or service deliverables in accordance with delivery dates and time frames set forth in this contract.

Unacceptable Deliveries (Rejections): Upon notification by the Owner that goods and/or service deliverables provided by the Successful Bidder under this contract are damaged and/or not of the quality specified by the Owner, such goods and/or service deliverables will be rejected. Successful Bidder shall replace such rejected goods and/or service deliverables immediately or within a reasonable time as determined by Owner.

Successful Bidder shall remove all rejected materials, equipment or supplies from the premises of Owner within ten (10) days of notification. Rejected goods and/or service deliverables not removed from Owner's premises within ten (10) days will be regarded as abandoned, shall become the property of Owner, and Owner shall have the right to dispose of such items.

Owner Purchase From Alternate Sources: Owner reserves the right to authorize immediate purchase from other sources against delayed deliveries and/or rejections.

The Successful Bidder shall reimburse Owner promptly for excess costs incurred by Owner for such purchases. Any such purchases will be deducted from the contract amount. In the event Owner's cost of obtaining goods and/or service deliverables from other sources be less, Successful Bidder shall have no claim to the difference.

Liability: Successful Bidder shall be liable to Owner for all costs incurred by Owner as a result of Successful Bidder's failure to perform in accordance with the contract. Successful Bidder's liability shall include, but not be limited to: Damages and other delay costs, to include costs to procure goods/services from alternate suppliers. Increased costs of performance, such as extended overhead and increased performance costs resulting from performance delays caused by Successful Bidder and/or rejections of Successful Bidder's goods and/or service deliverables. Warranty and rework costs, liability to third party, excess costs, attorney's fees and related costs incurred by Owner due to non-responsive performance of Successful Bidder.

**R. Termination Without Cause:**

Owner may at any time, and for any reason, terminate this Contract by written notice to Successful Bidder specifying the termination date, which shall be not less than thirty (30) days from the date such notice is mailed. Notice shall be given to Successful Bidder by certified mail/return receipt requested, addressed to the Successful Bidder's Contract Administrator. In the event of such termination, Successful Bidder shall be paid such amount as shall compensate Successful Bidder for the work satisfactorily completed, and accepted by Owner, at the time of termination. In the event Owner terminates this Contract, Successful Bidder shall withdraw its personnel and equipment, cease performance of any further work under this Contract, and turn over to Owner any work completed or in process for which payment has been made.

**S. Termination With Cause/Breach:**

In the event that Successful Bidder shall for any reason or through any cause be in default of the terms of this Contract, Owner may give Successful Bidder written notice of such default by certified mail/return receipt requested, addressed to the Successful Bidder's Contract Administrator. Unless otherwise provided, Successful Bidder shall have ten (10) days from the date such notice is mailed in which to cure the default. Upon failure of the Successful Bidder to cure the default, Owner may immediately cancel and terminate this Contract as of the mailing date of the default notice. Upon termination, Successful Bidder shall withdraw its personnel and equipment, cease performance of any further work under the Contract, and turn over to Owner any work in process for which payment has been made. In the event of violations of law, safety or health standards and regulations, this Contract may be immediately cancelled and terminated by Owner and provisions herein with respect to opportunity to cure default shall not be applicable.

**T. Breach of Contract:**

Successful Bidder shall be deemed in breach of this contract if the Successful Bidder: Fails to comply with any terms of this contract; Fails to cure such noncompliance within ten (10) calendar days from the date of the Owner written notice or such other time frame, greater than ten (10) calendar days, specified by the NNPS Contract Administrator in the notice. Fails to submit a written response to the Owner notification of noncompliance within ten (10) calendar days after the date of the Owner notice. All notices under this contract shall be submitted, either by fax or certified mail, return receipt requested, to the respective contract administrator. Successful Bidder shall not be in breach of this contract as long as its default was due to causes beyond the reasonable control of and occurred without any fault or negligence on the part of both the Successful Bidder and its subcontractors. Such causes may include, but are not restricted to, acts of God or of the public enemy, acts of Owner in its sovereign capacity, fires, floods, epidemics, strikes, freight embargoes, and unusually severe catastrophic weather such as hurricanes.

**U. Applicable Law:**

This Contract shall be deemed to be a Virginia contract and shall be governed as to all matters whether of validity, interpretations, obligations, performance or otherwise exclusively by the laws of the Commonwealth of Virginia, and all questions arising with respect thereto shall be determined in accordance with such laws. Regardless of where actually delivered and accepted, this Contract shall be deemed to have been delivered and accepted by the parties in the Commonwealth of Virginia.

**V. Compliance With All Laws:**

Successful Bidder shall comply with all federal, state and local statutes, ordinances, and regulations now in effect or hereafter adopted, in the performance of this contract. Successful Bidder represents that it possesses all necessary licenses and permits required to conduct its business and/or will acquire any additional licenses and permits necessary for performance of this contract prior to the initiation of work. If the Successful Bidder is a corporation, Successful Bidder

further expressly represents that it is a corporation of good standing in the Commonwealth of Virginia and will remain in good standing throughout the term of the contract and any extensions. All City of Newport News business license, personal property, real estate and other applicable tax requirements shall be met by Successful Bidder.

**W. Venue:**

Venue shall be in the Circuit Court of the City of Newport News, Virginia, and the United States District Court for the Eastern District of Virginia, Norfolk Division, compliant with applicable laws and regulations, as deemed appropriate by the Owner.

**X. Severability:**

If any provision of this contract is found by any court of competent jurisdiction to be invalid or unenforceable, the invalidity of such provision shall not affect the other provisions of this contract, and all other provisions of this contract shall remain in full force and effect.

**Y. Non-Appropriation of Funds:**

It is understood and agreed between the parties herein that the Owner shall be bound hereunder only to the extent that the funds shall have been appropriated. In the event no funds or insufficient funds are appropriated, Owner shall immediately notify the Successful Bidder of such occurrence and this Contract shall terminate on the last day funds are available without penalty or expense to the Owner of any kind whatsoever.

**Z. Tax Exemption:**

The Owner is exempt from federal excise tax and from all State and local taxes. Successful Bidder shall not include such taxes in any invoices under this agreement. Upon request, the Owner will furnish the Successful Bidder with tax exemption certificates or the Owner tax exempt number.

**AA. Vendor's Invoices:**

Successful Bidder shall submit to the Owner all invoices promptly upon completion of the requirements for installation, delivery, and acceptance of the Products and Services required under this contract. Invoices shall not include any costs other than those identified in the executed Owner purchase order awarding this contract or any subsequent change orders issued by the NNPS Purchasing Division. All shipping costs are the Successful Bidder's responsibility, except to the extent such charges are identified in the executed NNPS purchase order or change orders. Successful Bidder's invoices shall provide at a minimum:

- Type and description of the Product or Service installed, delivered and accepted;
- Serial numbers, if any;
- Quantity delivered;
- Charge for each item;
- Extended total (unit costs x quantity);
- This IFB number and the NNPS Purchase Order Number.

**BB. Contractual Disputes:**

Any dispute concerning a question of fact as a result of a contract with the Owner which is not disposed of by agreement shall be decided by the NNPS Purchasing Agent, who shall reduce his decision to writing and mail or otherwise forward a copy thereof to the contractor within thirty (30) days. The decision of the NNPS Purchasing Agent shall be final and conclusive unless the contractor appeals within six (6) months of the date of the final written decision by instituting legal action as provided in the Code of Virginia. A contractor may not institute legal action, prior to receipt of the public body's decision on the claim, unless the public body fails to render such decision within the time specified. Contractual claims, whether for money or other relief, shall be submitted in writing no later than sixty days after final payment; however, written notice of the contractor's intention to file such claim shall have been given at the time of the occurrence or beginning of the work upon which the claim is based. Nothing herein shall preclude a contract from requiring submission of an invoice for final payment within a certain time after completion and acceptance of the work or acceptance of the goods. Pendency of claims shall not delay payment of amounts agreed due in the final payment.



**CC. Warranty/Guarantee:**

The Successful Bidder guarantees against defective or faulty material or workmanship for at least one (1) year or for the manufacturer's standard warranty period, whichever is greater, from the date of Final Completion as specified by Owner. To furnish adequate protection from damage for all work and to repair damages of any kind for which Successful Bidder or Successful Bidder's workmen are responsible, to the building or equipment, to Successful Bidder's own work, or to the work of others. Any merchandise or service provided under the contract which is or becomes defective during the warranty period shall be replaced by the Successful Bidder free of charge with the specific understanding that all replacements shall carry the same guarantee as the original equipment or service (one year or manufacturer's standard warranty period, whichever is greater, from the date of acceptance of the replacement). The Successful Bidder shall make any such replacement immediately upon receiving notice from the Owner.

The Contractor agrees to assign to the Owner at the time of final completion of the Work any and all manufacturer's warranties relating to materials and labor used in the Work. All warranties and guarantees of the Contractor noted in the Specifications or contained herein shall survive the expiration of the Contract or the early termination of the Contractor.

In addition to the foregoing stipulations, the Contractor shall comply with all other guarantees and warranties referred to in any portion of the Contract Documents, the more stringent requirement governing. If, for any reason the Contractor cannot guarantee any part of his Work using the material or construction methods which have been specified or shown, it shall notify the Architect/Engineer in writing before the Notice to Proceed is given, giving reasons together with the name of the product and data on substitutions he can guarantee. Should the Contractor fail to so notify the Architect prior to receiving the Notice to Proceed, the Contractor will be held to have agreed to guarantee all Work specified or shown.

**DD. Payment Terms:**

To be eligible for payment, all labor, equipment and materials covered under Successful Bidder's invoice must be completed and accepted by the Owner. Owner agrees to make payments under this contract within thirty (30) days after receipt of a correct invoice for such payment. Where payment is made by mail, the date of postmark shall be deemed to be the date of payment. Any amounts due the Owner under the terms of this or any other agreement may be applied against Successful Bidder's invoices with documentation for the basis of the adjustment attached. In no event shall any interest penalty or late fee accrue when payment is delayed because of disagreement between the Owner and Successful Bidder regarding the quantity, quality, time of delivery, or other noncompliance with the contract requirements for any Product or Service or the accuracy or correctness of any invoice. Payment terms offering a "prompt payment discount" of 20 days or greater will be considered in the evaluation of bids. All other payment terms shall be net thirty (30) calendar days or greater. Payment terms not specified by Bidder shall be Net 45 days.

**1. Special Educational or Promotional Discounts:**

The contractor shall extend any special educational or promotional sale prices or discounts immediately to Newport News Public Schools during the term of the contract. Such notice shall also advise the duration of the specific sale or discount price.

**EE. Prompt Payment**

The Owner will promptly pay for completed, delivered goods or services accepted under this Contract by the payment date established. The required payment date will be either: (i) the date on which payment is due under the terms of this Contract for the provision of the goods or services; or (ii) if a date is not established by this Contract, not more than forty-five (45) days after goods or services are received or not more than forty-five (45) days after the invoice is rendered, whichever is later.

Within twenty (20) days after the receipt of the invoice or goods or services, the Owner shall notify the supplier of any defect or impropriety that would prevent payment by the payment date. Should Owner fail to pay the Contractor by the pay date, finance charges may be assessed by the Contractor. Unless otherwise provided under the terms of this Contract, interest will accrue at the rate of one percent (1%) per month. This will not apply to late payment provisions in any public utility tariffs or public utility negotiated Contracts. Contractor shall include in each of its subcontracts a provision requiring each subcontractor to include or otherwise be subject to the same payment and interest requirements with respect to each lower-tier subcontractor.

In cases where payment to Contractor is made by mail, the date of postmark shall be deemed to be the date payment is made for purposes of this Contract.

Individual Contractors shall provide to the Owner their social security numbers and proprietorships, partnerships, and corporations to provide their federal employer identification numbers.

Within seven (7) days after Contractor receives payment from the Owner, Contractor shall take one or more of the following actions:

1. Pay all subcontractors for the proportionate share of the total payment received from Owner attributable to the work performed by the subcontractors under this Contract;
2. Notify Owner and all affected subcontractors, in writing, of Contractor's intention to withhold all or a part of each affected subcontractor's payment including the reason for nonpayment.
3. Pay interest to the subcontractor on all amounts owed by the Contractor that remain unpaid after (7) seven days following receipt by the Contractor of payment from Owner for work performed by the subcontractor under that Contract, except for amounts withheld, as allowed in #2 above.

A Contractor's obligation to pay an interest charge to a subcontractor pursuant to the payment clause in this section shall not be construed to be an obligation of Owner. A Contract modification will not be made for the purpose of providing reimbursement by Owner for interest charges owed by Contractor. A cost reimbursement claim to the Owner shall not include any amounts for reimbursement of interest charges owed by Contractor.

**FF. Payment by Electronic Funds Transfer (EFT)**

(a) Method of payment.

(1) All payments by Newport News Public Schools (NNPS) under this contract shall be made by electronic funds transfer (EFT) except as provided in paragraph (a)(2) of this clause. As used in this clause, the term "EFT" refers to the funds transfer and may also include the payment information transfer.

(2) In the event NNPS is unable to release one or more payments by EFT, the Contractor agrees to either—

- (i) Accept payment by check or some other mutually agreeable method of payment; or
- (ii) Request NNPS to extend payment due dates until such time NNPS makes payment by EFT (but see paragraph (d) of this clause).

(b) Mandatory submission of Contractor's EFT information.

(1) The Contractor is required to provide NNPS with the information required to make payment by EFT (see paragraph (j) of this clause). The Contractor shall provide this information directly to the NNPS Accounting Department (hereafter referred to as "Accounting") no later than 15 days prior to submission of the first request for payment. In the event that the EFT information changes, the Contractor shall be responsible for providing the updated information to the Accounting.

(2) If the Contractor provides EFT information applicable to multiple contracts, the Contractor shall specifically state the applicability of this EFT information in terms acceptable to Accounting.

(c) Mechanisms for EFT payment. NNPS may make payment by EFT through the Automated Clearing House (ACH) network, subject to the rules of the National Automated Clearing House Association

(d) Suspension of payment.

(1) The NNPS is not required to make any payment under this contract until after receipt, by Accounting, of the correct EFT payment information from the Contractor. Until receipt of the correct EFT information, any invoice or contract financing request shall be deemed not to be a proper invoice for the purpose of prompt payment under this contract.

(2) If the EFT information changes after submission of correct EFT information, NNPS shall begin using the changed EFT information no later than 30 days after its receipt by Accounting to the extent payment is made by EFT. However, the Contractor may request that no further payments be made until the updated EFT information is implemented by Accounting. If such suspension would result in a late payment under the prompt payment terms of this contract, the Contractor's request for suspension shall extend the due date for payment by the number of days of the suspension.

(e) Liability for uncompleted or erroneous transfers.

(1) If an uncompleted or erroneous transfer occurs because NNPS used the Contractor's EFT information incorrectly, NNPS remains responsible for—

- (i) Making a correct payment;

- (ii) ) Paying any prompt payment penalty due; and
- (iii) Recovering any erroneously directed funds.
- (2) If an uncompleted or erroneous transfer occurs because the Contractor's EFT information was incorrect, or was revised within 30 days of NNPS' release of the EFT payment transaction, and—
  - (i) If the funds are no longer under the control of Accounting, NNPS is deemed to have made payment and the Contractor is responsible for recovery of any erroneously directed funds; or
  - (ii) If the funds remain under the control of Accounting, NNPS shall not make payment and the provisions of paragraph (d) shall apply.
- (f) EFT and prompt payment. A payment shall be deemed to have been made in a timely manner in accordance with the prompt payment terms of this contract if, in the EFT payment transaction instruction released to the Federal Reserve System, the date specified for settlement of the payment is on or before the prompt payment due date, provided the specified payment date is a valid date under the rules of the Federal Reserve System.
- (g) ) EFT and assignment of claims. If the Contractor assigns the proceeds of this contract as provided for in the assignment of claims terms of this contract, the Contractor shall require as a condition of any such assignment, that the assignee shall provide the EFT information required by paragraph (j) of this clause to Accounting, and shall be paid by EFT in accordance with the terms of this clause. In all respects, the requirements of this clause shall apply to the assignee as if it were the Contractor. EFT information that shows the ultimate recipient of the transfer to be other than the Contractor, in the absence of a proper assignment of claims acceptable to NNPS, is incorrect EFT information within the meaning of paragraph (d) of this clause.
- (h) Liability for change of EFT information by financial agent. NNPS is not liable for errors resulting from changes to EFT information provided by the Contractor's financial agent.
- (i) Payment information. Accounting shall forward to the Contractor available payment information that is suitable for transmission as of the date of release of the EFT instruction to the Federal Reserve System. NNPS may request the Contractor to designate a desired format and method(s) for delivery of payment information from a list of formats and methods Accounting is capable of executing. However, NNPS does not guarantee that any particular format or method of delivery is available and retains the latitude to use the format and delivery method most convenient to NNPS. If NNPS makes payment by check in accordance with paragraph (a) of this clause, NNPS shall mail the payment information to the remittance address in the contract.
- (j) EFT information. The Contractor shall provide the following information to Accounting. The Contractor may supply this data for this or multiple contracts (see paragraph (b) of this clause). The Contractor shall designate a single financial agent per contract capable of receiving and processing the EFT information using the EFT methods described in paragraph (c) of this clause.
  - (1) The contract number (or other procurement identification number).
  - (2) The Contractor's name and remittance address, as stated in the contract(s).
  - (3) The signature (manual or electronic, as appropriate), title, and telephone number of the Contractor official authorized to provide this information.
  - (4) The name, address, and 9-digit Routing Transit Number of the Contractor's financial agent.
  - (5) The Contractor's account number and the type of account (checking, saving, or lockbox).
  - (6) If applicable, the Fedwire Transfer System telegraphic abbreviation of the Contractor's financial agent.
  - (7) If applicable, the Contractor shall also provide the name, address, telegraphic abbreviation, and 9-digit Routing Transit Number of the correspondent financial institution receiving the wire transfer payment if the Contractor's financial agent is not directly on-line to the Fedwire Transfer System; and, therefore, not the receiver of the wire transfer payment.

NNPS Accounting Department Designated Contact: Accounting

Department  
NNPS Administration Building  
12465 Warwick Blvd.  
Newport News, Virginia 23606 Tel:  
(757)591-4513  
Kimberly Powell, Accounting Supervisor  
[Kimberly.powell@nn.k12.va.us](mailto:Kimberly.powell@nn.k12.va.us)

**GG. Audits:**

The Owner shall have the right to audit all books and records (in whatever form they may be kept, whether written, electronic or other) relating or pertaining to this Contract (including any and all documents and other materials, in whatever form they may be kept, which support or underlie those books and records), kept by or under the control of Successful Bidder, including, but not limited to those kept by Successful Bidder, its employees, agents, assigns, successors and subcontractors. Successful Bidder shall maintain such books and records, together with such supporting or underlying documents and materials, for the duration of this Contract and for at least three years following the completion of this Contract, including any and all renewals thereof. The books and records, together with the supporting or underlying documents and materials shall be made available, upon request, to the Owner, through its employees, agents, representatives, contractors or other designees, during normal business hours at Successful Bidder's office or place of business in Newport News, Virginia. In the event that no such location is available, then the books and records, together with the supporting or underlying documents and records, shall be made available for audit at a time and location in Newport News, Virginia, which is convenient for the Owner. This paragraph shall not be construed to limit, revoke, or abridge any other rights, powers, or obligations relating to audit which the Owner may have by state, city, or federal statute, ordinance, regulation, or agreement, whether those rights, powers, or obligations are express or implied.

**IV. SPECIAL TERMS AND CONDITIONS**

**A. Contract Term:**

A certificate of substantial completion for the work under this Contract, must be provided to the Owner by Contractor no later than **July 29, 2024**. The date of Substantial Completion is the date certified by the Owner. Final completion shall be achieved on or before **August 12, 2024**.

**B. Drawings and Project Manuals/Specifications:**

In addition to the documents described herein, the Bid Pricing form, and the associated specifications are hereby incorporated into this contract, by reference, as if written herein verbatim and are all considered contract documents.

**C. Drawing and Specifications; Use and Ownership**

Upon award, the Owner will furnish to the Contractor, free of charge, copies of Drawings and/or Specifications reasonably necessary for the execution of the Work.

When the Work involved is common to a trade or industry, which can be judged as acceptable, or not by commonly accepted standards for a specific trade, the Contractor shall not use the inadequacy or omission of drawing detail or specification language to excuse his failure to perform to the highest industry standards. All Drawings and/or Specifications shall remain the property of the Owner, and shall not be reused on other Work by the Contractor.

**D. Construction Schedule**

The Contractor shall submit within ten (10) days, or upon a timeframe mutually agreeable between the Owner and Contractor, after award of Contract a schedule which shall show the order (and value of) in which the Contractor proposes to carry on the Work. The Construction Schedule shall not exceed time limits current under the Contract Documents, shall be revised at appropriate intervals as required by the conditions of the Work and Project, shall be related to the entire Project to the extent required by the Contract Documents, and shall provide for expeditious and practical execution of the Work.

**E. Schedule of Values**

Within seven (7) calendar days after receipt of the Notice to Proceed, or upon a timeframe mutually agreeable between the Owner and Contractor but prior to submitting the first pay application, there will be a mandatory Project meeting to review the Construction Schedule and Schedule of Values. The Schedule of Values, once approved by Owner, shall be

the basis for submittal and approval of monthly progress payments. The Contractor shall provide the Owner Representative with sufficient information on its plan for completing all Work under this Contract. Contractor will be prepared to present the suppliers and delivery dates for their respective critical materials including footing, reinforcing, structural steel, metal roofing, brick, windows, hollow metal frames, HVAC units, main electrical switch gear, kitchen equipment *and any other item of which delivery may be critical to meet the Construction Schedule*. Contractor will also be prepared to present the number of workers scheduled to be onsite throughout the Project. NOTE: NO APPLICATIONS FOR PROGRESS PAYMENTS WILL BE CERTIFIED FOR PAYMENT UNLESS THE CONTRATOR HAS SUBMITTED THE ABOVE SCHEDULING INFORMATION.

**F. Time is of the Essence**

Time is of the essence in this Contract. Contractor expressly acknowledges that in the performance of its obligations, Owner is relying on timely performance and will schedule operations and incur obligations to third parties in reliance upon timely performance by Contractor and may sustain substantial losses by reason of untimely performance.

**G. Insurance:**

Contractor shall submit to the NNPS Contract Administrator certificates of insurance, prior to beginning work under the contract and no later than ten (10) days after award of the contract.

All policies of insurance required herein shall be written by insurance companies licensed to conduct the business of insurance in Virginia, and acceptable to Owner, and shall carry the provision that the insurance will not be cancelled or materially modified without thirty days (30) prior written notice to the Owner or to the extent permitted by Virginia law. The certificates of insurance shall list NNPS, 12465 Warwick Boulevard, Newport News, Virginia, 23606-0130, as the additional insured for the specified project as outlined in this IFB. Copies of actual endorsements to the policy shall be required to confirm any special request, such as, additional insured status. A COI shall not be issued or delivered that gives the impression there are coverage terms the referenced policy does not specifically provide.

IT IS THE RESPONSIBILITY OF THE CONTRACTOR TO IMMEDIATELY NOTIFY THE OWNER SHOULD ANY POLICY BE CANCELLED. FAILURE TO NOTIFY THE OWNER SHALL CONSTITUTE A MATERIAL BREACH OF THE CONTRACT.

Insurance shall be maintained during the entire term of the contract and shall be of the following forms and limits:

Forms	Limits
Workers' Compensation	Statutory
Automobile Liability	\$1,000,000 Combined Single Limit
Commercial General Liability, including Contractual Liability and Products and Completed Operations Coverage	\$1,000,000 Combined Single Limit
Miscellaneous Errors and Omissions with Intellectual Property Rights Coverage, Including Copyright Infringement	\$1,000,000
Umbrella/Excess Liability	\$5,000,000

The establishment of minimum limits of insurance by Owner does not reduce or limit the liability or responsibilities of the Contractor.

**H. Bonds:**

Unless otherwise noted, all surety documents required herein shall be received and approved by the NNPS Contract Administrator prior to beginning work under the contract and no later than five (5) days after issuance of the "Notice of Award" for this IFB. Each of the required bonds shall be payable to the Owner. Bonds shall be executed by one or more surety companies selected by Bidder which are legally authorized to issue bond and do business in the Commonwealth of Virginia. With the exception of any required Bid Bond, each of the above bonds shall be maintained through the term of the contract and any extensions. **\*Note in accordance with §2.2-4338, alternative forms of**

**security in lieu of a bid, performance, or payment bond, a bidder may furnish a certified check, cashier's check, or cash escrow in the face amount required for the bond. If approved by the School Board attorney in advance and prior to submitting a bid, a bidder may furnish a personal bond, property bond, or bank or savings institution's letter of credit on certain designated funds in the face amount required for the bid, payment, or performance bond. Approval shall be granted only upon a determination that the alternative form of security proffered affords protection to the public body equivalent to a corporate surety's bond.**

#### Bid Bond

Each Bidder shall submit with its bid that is \$100,000.00 or more, a bid bond from a surety company selected by the Bidder that is authorized to do business in Virginia, or cashier's check, payable to Newport News Public Schools equal to five percent (5%) of the total bid price. The Bid Bond is a guarantee that if the contract is awarded to the Bidder, he will enter into the contract for the work mentioned in the bid.

#### Performance and Payment Bonds

Successful Bidder shall furnish to Owner a payment bond and a performance bond each equal to one hundred percent (100%) of the Contract price and each payable to Newport News Public Schools before any agreement is approved and issued if the Project assigned to the Successful Bidder is \$500,000.00 or more. The performance bond shall be conditioned upon the faithful performance of the Contract in strict conformity with the terms and conditions of the Contract, and the payment bond shall be conditioned upon the prompt payment for all such material furnished or labor supplied or performed in the prosecution of the work.

#### **I. Unauthorized Disclosure of Information:**

The Contractor shall assume the entire responsibility and liability for any and all damages caused by or resulting from or arising out of the negligent or willful unauthorized disclosure of confidential information on the part of the Contractor, its subcontractors, agents or employees under or in connection with this contract. The Contractor shall save harmless and indemnify Owner and its agents, volunteers, servants, employees and officers from and against any and all claims, losses or expenses, including but not limited to attorney's fees, which either or both of them may suffer, pay or incur as the result of claims or suits due to, arising out of or in connection with, any and all such unauthorized disclosures, real or alleged. The Contractor shall, upon written demand by Owner, assume and defend, at the Contractor's sole expense, any and all such suits or defense of claims alleging unauthorized disclosures of confidential information.

Any negligent or willful unauthorized disclosure of confidential information on the part of the Contractor, its subcontractors, agents or employees under or in connection with this contract shall constitute a breach of the terms of this contract. Owner may proceed by appropriate court action, including seeking injunctive relief, to prevent continuing unauthorized disclosures, and Contractor shall save harmless and indemnify Owner for court costs, litigation expenses and attorney's fees that it may pay or incur as the result of seeking to prevent or stop any and all unauthorized disclosures of confidential information.

#### **J. Copyright/Patent Indemnity:**

The Successful Bidder shall pay all royalty and license fees relating to the items covered by this contract. In the event any third party shall claim that the manufacture, use and sales of the goods supplied under this contract constitute an infringement of any copyright, trademark, or patent, the Successful Bidder shall indemnify Owner and hold Owner harmless from any cost, expense, damage or loss incurred in any manner by Owner on account of any such alleged or actual infringement.

#### **K. Title to Equipment:**

Successful Bidder shall pass to Owner clear and unrestricted title to all equipment purchased, delivered, and accepted under this contract upon payment of the purchase price.

**L. Liquidated Damages:**

If the Contractor fails to obtain and submit to Owner both a Certificate of Occupancy from the City of Newport News and a Certificate of Substantial Completion from the Owner within the time specified in the contract, the Contractor shall pay liquidated damages to Owner in the amount of **\$1,000.00** for each calendar day of delay until the work is completed and accepted and both certificates identified above have been properly authorized and submitted to Owner. If Owner terminates the Contractor's right to proceed, liquidated damages will continue to accrue until the work is completed. These liquidated damages are in addition to excess costs of repurchase under the Termination for Cause clause.

**M. Time Extensions:**

Time extensions for contract changes will depend upon the extent, if any, by which the changes cause delay in the completion of the various elements of construction. The change order granting the time extension may provide that the contract completion date will be extended only for those specific elements related to the changed work and that the remaining contract completion dates for all other portions of the work will not be altered. The change order also may provide an equitable readjustment of liquidated damages under the new completion schedule.

**N. Responsibility for Work**

The Contractor shall be responsible for the protection of their Work until final acceptance. The Contractor shall be responsible for damage to or destruction of the Work caused by the negligence of the Contractor, or any other party under the control and supervision of the Contractor. Contractor agrees to make no claims against the Owner for damages for the Work from any cause except negligence or willful acts of the Owner, improper or faulty design, acts of any Enemy, or acts of war. Contractor shall obtain and maintain in force until Owner's final acceptance of Project, Builders' Risk Insurance that fully covers any loss or damage to Project.

**O. Changes in the Work**

The Owner may make changes in the drawings and specifications or scheduling of the Contract within the general scope at any time. If such changes add to or deduct from the Contractor's cost of the Work, the Contract price shall be adjusted accordingly. All such Work shall be executed under the conditions of the original Contract except that any claim for extension of time caused thereby shall be included as part of the negotiated change order.

The Contractor shall be prepared to justify any price for Extra Work by providing detailed breakdown and supporting documents when requested by the Owner.

1. If sub-contractor does the actual Work, the mark-up shall be limited to a maximum of 15%. If the subcontractor does not enter into the Work he shall not be added into the cost. General Contractor mark-up shall be limited to a maximum of 10%.

2. If the General Contractor is solely responsible for the Work the maximum mark-up shall be limited to 10%.”

**P. Extension of Time:**

(a) Extension of time stipulated in the Contract for completion of the Work will be made when formally approved Change Orders, fully executed by the Owner, Architect, and Contractor, when such changes in the Work increase the overall scope; when the Work is suspended; or when the Work of the Contractor is delayed on account of physical conditions or acts of others which could not have been foreseen by, or which were beyond the control of the Contractor, his subcontractors or suppliers, and which were not the result of their fault or negligence.

(b) NO TIME EXTENSION WILL BE GRANTED BY THE OWNER UNLESS THE FOLLOWING PROCESS IS FOLLOWED. If, during any month the Contractor is unable to Work for reasons beyond the Contractor's control and believes the Contractor is due an extension; the Contractor shall submit in writing, along with the Contractor's monthly request for progress payments, a request for the extension which clearly explains the circumstances which the Contractor feels justifies and extension. The request will be reviewed by the Owner and a written response, granted or rejecting the

request, will be issued. Any request for days older than the current month will be dismissed without consideration. Time extensions shall constitute a formal change to Contract terms and conditions and a formal Change Order (AIA Form G701 in its latest edition) shall be issued by the Owner accordingly and as specified herein.

**Q. Different Site Conditions:**

The Contractor shall promptly, and before the conditions are disturbed, give a written notice to the Contract Administrator of-

- Subsurface or latent physical conditions at the site which differ materially from those indicated in this contract; or
- Unknown physical conditions at the site, of an unusual nature, which differ materially from those ordinarily encountered and generally recognized as inhering in work of the character provided for in the contract.

The Owner's Representative(s) shall investigate the site conditions promptly after receiving the notice. If the conditions do materially so differ and cause an increase or decrease in the Contractor's cost of, or the time required for, performing any part of the work under this contract, whether or not changed as a result of the conditions, an equitable adjustment shall be made under this clause and the contract modified in writing, accordingly. No request by the Contractor for an equitable adjustment to the contract under this clause shall be allowed, unless the Contractor has given the written notice required; *provided*, that the time prescribed in this paragraph for giving written notice may be extended by the Issuing Office. No request by the Contractor for an equitable adjustment to the contract for differing site conditions shall be allowed if made after final payment under this contract.

**R. Site Investigations and Conditions Affecting Work:**

The Contractor acknowledges that it has taken steps reasonably necessary to ascertain the nature and location of the work, and that it has investigated and satisfied itself as to the general and local conditions which can affect the work or its cost, including but not limited to (1) conditions bearing upon transportation, disposal, handling, and storage of materials; (2) the availability of labor, water, electric power, and roads; (3) uncertainties of weather, river stages, tides, or similar physical conditions at the site; (4) the conformation and conditions of the ground; and (5) the character of equipment and facilities needed preliminary to and during work performance. The Contractor also acknowledges that it has satisfied itself as to the character, quality, and quantity of surface and subsurface materials or obstacles to be encountered insofar as this information is reasonably ascertainable from an inspection of the site, including all exploratory work done by the Owner, as well as from the drawings and specifications made a part of this contract. Any failure of the Contractor to take the actions described and acknowledged in this paragraph will not relieve the Contractor from responsibility for estimating properly the difficulty and cost of successfully performing the work, or for proceeding to successfully perform the work without additional expense to the Owner. The Owner assumes no responsibility for any conclusions or interpretations made by the Contractor based on the information made available by the Owner. Nor does the Owner assume responsibility for any understanding reached or representation made concerning conditions, which can affect the work by any of its officers or agents before the execution of this contract, unless that understanding or representation is expressly stated in this contract.

**S. Correction of Work**

The Contractor shall promptly correct Work rejected by the Owner or Architect/Engineer or failing to conform to the requirements of the Contract Documents, whether observed before or after Substantial Completion and whether or not fabricated, installed or completed. The Contractor shall bear costs of correcting such rejected Work, including additional testing and inspections and compensation for the Owner's and Architect's/Engineer's services and expense made necessary thereby.

Within two (2) years after the date of Substantial Completion of the Work or designated portion thereof, or after the date for commencement of warranties established by Section III. BB., or by terms of an applicable special warranty required by the Contract Documents, the Contractor shall correct it promptly after receipt of written notice from the Owner to do so unless the Owner has previously given the Contractor a written acceptance of such condition. The period of two (2) years shall be extended with respect to portions of Work first performed after Substantial Completion by the period of time between Substantial Completion and the actual performance of the Work. This



obligation under this section IV. S. shall survive acceptance of the Work under the Contract and termination of the Contract. The Owner shall give such notice promptly after discovery of the condition.

**T. Suspension of Work**

The Owner may at any time suspend the Work, or any part thereof, by giving a ten (10) day notice to the Contractor in writing or in the case of an emergency, immediately. The Work shall be resumed by the Contractor within ten (10) days after the date fixed in the written notice from the Owner to the Contractor to do so. The Owner shall reimburse the Contractor for expenses incurred as a result of such suspension.

**U. Material and Workmanship:**

All equipment, material, and articles incorporated into the work covered by this contract shall be new and of the most suitable grade for the purpose intended, unless otherwise specifically provided in this contract. Any references in the specifications to equipment, material, articles, or patented processes by trade name, make, or catalog number, shall be regarded as establishing a standard of quality and shall not be construed as limiting competition.

All work under this contract shall be performed in a skillful and workmanlike manner. Owner may require, in writing, that the Contractor remove from the work any employee the Contract Administrator deems incompetent, careless, or otherwise objectionable.

**V. Permits and Responsibilities:**

The Contractor shall, without additional expense to Owner, be responsible for obtaining any necessary licenses and permits required to complete work under this contract, and for complying with any Federal, State, and municipal laws, codes, and regulations applicable to the performance of the work. The Contractor shall also be responsible for all damages to persons or property that occurs as a result of the Contractor's fault or negligence. The Contractor shall also be responsible for all materials delivered and work performed until completion and acceptance of the entire work, except for any completed unit of work, which may have been accepted under the contract.

**W. Material and Appliances**

Unless otherwise stipulated, the Contractor shall provide and pay for all materials, labor, water, tools, equipment, light, power, transportation and other facilities of a quantity and quality necessary for the execution and completion of the Work. The Contractor shall, if required, furnish satisfactory evidence as to the kind and quality of materials.

The Contractor shall promptly notify in writing the Owner representative if any change in materials as specified is contemplated or proposed. Any such proposed change shall be promptly investigated, and if found to be necessary and/or acceptable, the Contract shall be formally modified. Any change in materials shall be made at the Contractors own risk unless approved as prescribed above.

**X. Superintendence by Contractor:**

At all times during performance of this contract and until the work is completed and accepted, the Contractor shall directly superintend the work or assign and have on the worksite a competent superintendent, who is satisfactory to the Owner, and has authority to act for the Contractor.

**Y. Owner's Representative's Status**

The Owner Representative shall at all times have access to the Work whenever it is in preparation or progress, and the Contractor shall provide proper facilities for such access and for inspection.

The Owner Representative shall perform technical inspection of the Work Owner Representative has authority to stop the Work whenever such stoppage may be necessary to insure the proper execution of the Contract. Owner

Representative shall also have authority to reject all Work and materials which do not conform to the Contract and to decide questions which arise in the execution of the Work.

Notwithstanding such inspection, the Contractor will be held responsible for the acceptability of the finished Work. If the specifications, the Owner Representative's instructions, laws, ordinances, or any public authority require any Work to be specially tested or approved, the Contractor shall give the Owner timely notice of its readiness for inspection, and if the inspection is by an authority other than the Owner, of the date fixed for such inspection. If any Work required to be inspected should be covered without proper approval or consent it must, if required, be uncovered for examination and properly restored at the Contractor's expense.

Reexamination of any Work may be ordered, and if so ordered, the Work must be uncovered by the Contractor. If such Work is found to be in accordance with the Contract, the Owner shall pay the cost of reexamination and replacement. If such Work is not in accordance with the Contract, the Contractor shall pay such cost.

The Owner Representative's presence and actions do not replace the legal requirements of the State and/or local building codes. Notwithstanding the Owner Representative's actions or instructions, the Contractor shall adhere to all building code requirements regarding inspection and approvals.

Whenever work being done by the Owner's forces, utility companies, or by other contractors' forces is contiguous to Work covered by this Contract, the respective rights of the various interests involved shall be established by the Owner Representative to secure the completion of the various portions of the Work in general harmony.

The Owner Representative shall, within a reasonable time after presentation to him, make decisions in writing on all matters relating to the execution and progress of the Work or the interpretation of the specifications and/or drawings.

In making these decisions, the Owner Representative, shall have authority to make interpretations and minor changes as to the scope of Work not involving extra cost, and not inconsistent with the purpose of the Work. If the Contractor claims that any such instructions involve extra cost, he shall give written notice thereof within ten (10) days, after the receipt of such instruction. Except in an emergency endangering life and/or property, no extra cost shall be accepted by the Owner unless pursuant to a formal modification to the Contract.

**Z. Employees:**

The Contractor shall at all times enforce proper discipline and order among his employees, and shall seek to avoid employing on the Work any unfit person or anyone not skilled in the Work assigned to him. The Owner reserves the right to require the Contractor to remove from the Project any employee whose actions are detrimental and disruptive to the Project. Proper discipline and order includes the wearing of appropriate clothing; inappropriate messages such as drug, sex, tobacco or alcohol messages depicted on clothing will not be tolerated and will result in immediate removal of the employee from the job site. All NNPS properties are tobacco free; smoking is banned from all school property. Adequate sanitary facilities shall be provided by the Contractor. The Contractor shall be responsible for complying with all OSHA, Virginia OSHA, NFPA, NEC, etc. requirements. Contractor shall provide to the Owner's Representative, its Employee Worker Safety Program prior to receiving the Notice to Proceed.

**AA. Certification for Contractors in Direct Contact with Students**

In accordance with the Code of Virginia, prior to making an award for services that require direct contact with students, the Contractor and any employee who will have direct contact with students must certify (i) that he has not been convicted of a felony or any offense involving the sexual molestation or physical or sexual abuse or rape of a child; and (ii) whether he has been convicted of a crime of moral turpitude. "Direct contact with students" is defined as "being in the presence of students during regular school hours or during school-sponsored activities" **A signed certification to this effect must be completed prior to Contractor entering the Owner premises . Contractor is responsible to obtain signed certifications for any subcontractors performing Work under this Contract.**

**BB. Other Contracts:**

Owner may undertake or award other contracts for additional work at or near the site of the Work under this contract. The Contractor shall afford other contractors reasonable opportunity for the introduction and storage of materials and the execution of Work, and shall properly connect and coordinate his Work with theirs. If the proper execution or results of any part of the Contractor's Work depends upon the Work of any other contractors, the Contractor shall inspect and promptly report to the Owner Representative any defects in such Work that render it unsuitable for such proper execution and results. The Contractor shall fully cooperate with the other contractors and with Owner employees and shall carefully adapt scheduling and performing the work under this contract to accommodate the additional work, heeding any direction that may be provided by the Contract Administrator. The Contractor shall not commit or permit any act that will interfere with the performance of work by any other Contractor or by Owner employees.

**CC. Protection of the Public and of Work and of Property**

The Contractor shall provide and maintain all necessary watchmen, flagmen, barricades, and signage in accordance with requirements of the law and of the Owner Representative and take all reasonable precautions for the protection and safety of the public. Contractor shall continuously maintain reasonable protection of all Work from damage, and shall take all reasonable precautions to protect property from injury or loss arising in connection with this Contract. The Contractor shall take reasonable precautions to protect private property adjacent to the project from such nuisances as debris and excessive noise. Contractor shall make good any damage, injury or loss to his Work and to the property Owner resulting from lack of reasonable protective precautions, except such as may be caused by agents or employees of the Owner.

**Emergency Work**

In a situation which affects the safety of life, or of the Work, or of adjoining property, the Contractor is, without special instructions or authorization from the Owner Representative, permitted to act at his discretion to prevent such threatening loss or injury. Contractor shall also act, without appeal, if so authorized or instructed by the Owner Representative. Any compensation claimed by the Contractor on account of emergency Work, shall be determined by mutual agreement and is subject to the notification requirements. Claims shall be submitted to the Owner no later than the current month's scheduled Project progress meeting.

**DD. Protection of Existing Vegetation, Structures, Equipment, Utilities, and Improvements:**

The Contractor shall preserve and protect all structures, equipment, and vegetation (such as trees, shrubs, and grass) on or adjacent to the work site, which is not to be removed and which does not unreasonably interfere with the work required under this contract. The Contractor shall only remove trees when specifically authorized to do so, and shall avoid damaging vegetation that will remain in place. If any limbs or branches of trees are broken during contract performance, or by the careless operation of equipment, or by workmen, the Contractor shall trim those limbs or branches with a clean cut and paint the cut with a tree-pruning compound as directed by the Contract Administrator.

The Contractor shall protect from damage all existing improvements and utilities (1) at or near the work site, and (2) on adjacent property of a third party, the locations of which are made known to or should be known by the Contractor. The Contractor shall repair any damage to those facilities, including those that are the property of a third party, resulting from failure to comply with the requirements of this contract or failure to exercise reasonable care in performing the work. If the Contractor fails or refuses to repair the damage promptly, the Contract Administrator may have the necessary work performed and charge the cost to the Contractor.

**EE. Environmental Consideration**

Any costs or expenses associated with environmentally related violations of the law, the creation or maintenance of a nuisance, or releases of hazardous substances, including, but not limited to, the costs of any cleanup activities, removals, remediation, responses, damages, fines, administrative or civil penalties or charges imposed on Owner, whether because of actions or suits by any governmental or regulatory agency or by any private party, as a result of the storage, accumulation, or release of any hazardous substances, or any noncompliance with or failure to meet any federal, state or

local standards, requirements, laws, statutes, regulations or the law of nuisance by Contractor (or by its agents, officers, employees, subcontractors, consultants, sub-consultants, or any other persons, corporations or legal entities employed, utilized, or retained by Contractor) in the performance of this Contract or related activities, shall be paid by Contractor. This paragraph shall survive the termination, cancellation or expiration of this Contract.

**FF. Hazardous Materials**

By acceptance of this Contract, the Contractor certifies that it has provided a list of any hazardous material to be delivered under this Contract. The hazardous material shall be properly identified and include any applicable identification number, such as National Stock Number or Special Item Number. Additionally, the Contractor agrees to update this list during performance of the Contract, whenever the Contractor determines that any other material to be delivered under this Contract is hazardous. Failure of the Contractor to disclose this information is grounds for termination.

**GG. Copyright/Patent Indemnity:**

The Contractor shall pay all royalty and license fees relating to the items covered by this contract. In the event any third party shall claim that the manufacture, use and sales of the goods supplied under this contract constitute an infringement of any copyright, trademark, or patent, the Contractor shall indemnify Owner and hold Owner harmless from any cost, expense, damage or loss incurred in any manner by Owner on account of any such alleged or actual infringement.

**HH. Partial Occupancy or Use**

The Owner may occupy or use any completed or partially completed portion of the Work at any stage when such portion is designated by separate agreement with the Contractor, provided such occupancy or use is consented by the insurer and authorized by public authorities having jurisdiction over the Work. Such partial occupancy or use may commence whether or not the portion is substantially complete, provided the Owner and Contractor have accepted in writing the responsibilities assigned to each of them for payments, retainage if any, security, maintenance, heat, utilities, damage to the Work and insurance, and have agreed in writing concerning the period for correction of the Work and commencement of warranties required by the Contract Documents. Immediately prior to such partial occupancy or use, the Owner, Contractor, and Architect/Engineer shall jointly inspect the area to be occupied or portion of the Work to be used in order to determine and record the condition of the Work.

**II. Payments withheld prior to prior to Final Acceptance of Work**

As a result of discovered evidence, the Owner may withhold or nullify the whole or part of any certificate of payment to such extent as may be necessary to protect himself from loss caused by:

- (a) Defective Work not remedied.
- (b) Claims filed or reasonable evidence indicating probable filing of claims by other parties against the Contractor.
- (c) Failure of the Contractor of making payments properly to subcontractors or for material or labor.
- (d) Damage to another Contractor.

**JJ. Correction of Work before Final Payment**

The Contractor shall promptly remove from the premises all materials and work rejected by the Owner's Representative as failing to meet Contract requirements, whether incorporated in the Work or not, and the Contractor shall promptly replace materials and/or re-execute Work in accordance with the Contract and without expense to the Owner and shall bear the expense of making good all Work of other Contractors destroyed or damaged by such removal or replacement.

All removal and replacement Work shall be done at the Contractor's expense. If the Contractor does not take action to remove such condemned Work and materials within ten (10) days after written notice, the Owner may remove them and store the material at the expense of the Contractor. If the Contractor does not pay the expense of such removal and storage within ten (10) after written notice, the Owner may, upon ten (10) days written notice, sell such materials at

at auction or at private sale and shall pay to the Contractor any net proceeds thereof, after deducting all the costs and expenses that should have been borne by the Contractor.

**KK. Cleaning Up**

The Contractor shall remove at its own expense from the Work site and from all public and private property all temporary storage structures, rubbish, and waste materials resulting from his operations. This requirement shall not apply to property used for permanent disposal of rubbish or waste materials in accordance with permission for such disposal granted to the Contractor by the Owner Representative where such disposal is in accordance with local ordinances.

**LL. Acceptance and Final Payment**

(a) Upon receipt of written notice that the Work is substantially completed or ready for final inspection and acceptance, the Owner's Representative [the Project Manager and the Architect/Engineer (when assigned to the Project)] will promptly make such inspection, and when the Owner Representative finds the Work acceptable under the Contract and the Contract fully performed or substantially completed, The Owner and Architect/Engineer (when assigned to the Project) shall promptly issue a certificate signed by both the Owner and Architect/Engineer (when assigned to the Project), stating that the Work required by this Contract has been completed or substantially completed and is accepted by him under the terms and conditions thereof, and the entire balance found to be due the Contractor, including the retained percentage, less a retention based on the estimate of the fair value of the claims against the Contractor and the cost of completing the incomplete or unsatisfactory items of Work with specified amounts for each incomplete or defective item or Work, is due and payable. The date of substantial completion of a project or specified area of a project is the date when the construction is sufficiently completed in accordance with the Contract as modified by any change orders agreed to by the parties so that the Owner can occupy the Project or specified area of the Project for the use for which it is intended.

(b) The making and acceptance of the final payment shall constitute a waiver of all claims by the Owner, other than those arising from unsettled claims or from faulty Work appearing within the guarantee period provided in the Special Conditions, from the requirements of the Drawings and Specifications, or from manufacturer's guarantees. It shall also constitute a waiver of all claims by the Contractor, except those previously made and still unsettled.

**MM. Claims for Extra Compensation**

If Contractor encounters work and services not included in this Contract or any supplement thereto but which in the opinion of Contractor is necessary for the successful completion of the Contract and requires extra compensation, Contractor shall, before it begins the work on which it bases its claim, promptly notify the Project Manager and Architect/Engineer (if assigned to the Project) in writing of its intention to perform the work and to make claim for extra compensation. Notification by Contractor under the terms of this paragraph shall not be construed as proving the validity of the claim. No claim for extra compensation will be filed or considered unless notification is given as herein set forth.

Upon written notification to the Owner; the Project Manager and Architect /Engineer (if assigned to the Project) shall promptly review any claim for extra compensation. If a claim is accepted by Owner it shall be paid as extra work in accordance with the terms of a formal Change Order executed by all parties before such work is begun.

The amounts claimed as extra compensation by Contractor shall be separately itemized, become a part of the claim, and serve as documentation thereto. The amounts itemized shall be in sufficient detail to enable the Owner to analyze the need for the extra work and the costs claimed for the work.

**Attachment A**  
**IFB 008-0-2024/SNB DEER PARK ELEMENTARY**  
**SCHOOL WINDOW REPLACEMENT**

**BID FORM**

In compliance with solicitation dated December 7, 2023, the undersigned proposes to furnish all labor equipment and materials and perform all work in strict accordance with all requirements for:

**Deer Park Elementary School Window Replacement**

The above scope of work to be performed at the dollar amount(s) stated herein.

The undersigned agrees and assures that:

- . All prices stated herein shall be firm for a period of \_\_\_\_\_ calendar days.  
(90 days minimum)
- . If bidder's response is accepted and a purchase order issued, bidder will accept same and fulfill requirements in strict compliance with all terms and conditions.
- . If in acceptance of bidder's response, bidder is required to furnish a payment bond and a performance bond; and/or a certificate of insurance, bidder will execute and furnish same within five (5) calendar days of such notice, and that failure to do so will mean forfeiture of any surety bidder may have been required to post as part of bidder's response.
- . Bidder's business is organized as a stock or nonstock corporation, limited liability company, business trust, or limited partnership or registered as a registered limited liability partnership and is authorized to transact business in the Commonwealth as a domestic or foreign business entity if so required by Title 13.1 or Title 50 of the code of Virginia, as amended, or as otherwise required by law.
- . If a Contractor, Bidder is registered with the Commonwealth of Virginia as a  
Class \_\_\_\_\_; Registration No. \_\_\_\_\_;
- . Bidder meets all licensing and permit requirements to conduct business in the City of Newport News, Virginia

**Attachment A**

**IFB Project No. 008-0-2024/SNB**

Submitted By:

Company Name \_\_\_\_\_

Street Address \_\_\_\_\_

City/State/Zip \_\_\_\_\_

Phone \_\_\_\_\_ FAX \_\_\_\_\_

Date: \_\_\_\_\_

Federal ID # \_\_\_\_\_ SCC Registration # \_\_\_\_\_

DUNS # \_\_\_\_\_

The BIDDER, in compliance with the Invitation For Bid (IFB 008-0-2024/SNB) and having carefully examined the Conditions of the Contract, Specifications, Drawings, and Addenda numbers (s) \_\_\_\_\_ (Bidder to insert Addenda number(s); if none, so state) and having carefully examined the site and all conditions affecting the Work, HEREBY PROPOSE to furnish all labor, materials and equipment, and to complete the project in accordance with the Contract Documents, within the time set forth therein, and for the Bid price stated herein. Said price shall cover all expenses incurred in performing the work required by the Contract Documents, of which this proposal is a part.

All labor equipment necessary for **Deer Park Elementary School Window Replacement:**

**PART A: LUMP SUM BASE BID**

\_\_\_\_\_ DOLLARS

(Written)

(\$ \_\_\_\_\_ USD)

(Figure)

**TOTAL BASE BID AMOUNT (Sum of PARTS A) IS:**

\_\_\_\_\_ DOLLARS

(written)

(\$ \_\_\_\_\_ USD)

(Figure)

Discrepancies between multiplication of units of work and unit prices will be resolved in favor of unit prices, discrepancies between the indicated sum of any column of figures and the correct sum thereof will be resolved in the favor of the correct sum. Discrepancies between words and figures will be resolved in favor of words. **AWARD WILL BE BASED ON LUMP SUM BASE BID AMOUNT (SUM OF PART A).**



**Attachment A**

The undersigned agrees that if awarded a Contract, bidder will commence work within **10** calendar days after the date of notice to proceed letter, and that bidder will complete all work, as specified (to include codes inspection and Owner acceptance) shall be substantially completed on or before **July 29, 2024** and final completion shall be completed on or before **August 12, 2024**, acknowledging the Owner's right per Section IV L., of the Contract Documents, to assess Liquidated Damages of One Thousand Dollars **\$1,000 USD** per day.

(For individual trading  
in his individual name) \_\_\_\_\_

(Print)

\_\_\_\_\_  
(Signature)

(For use by an individual  
trading under trade name) \_\_\_\_\_

(Print)

\_\_\_\_\_  
(Signature)

Trading as

\_\_\_\_\_  
(Print)

\_\_\_\_\_  
(Signature)

(For use by partnership) \_\_\_\_\_  
(Partnership Name Printed)

\_\_\_\_\_  
(Partner/Signature)

(For use by a corporation) \_\_\_\_\_  
(Corporate Name Printed)

By \_\_\_\_\_  
(Corporate Officer Signature)

\_\_\_\_\_  
(Name Printed)

\_\_\_\_\_  
Indicate Official Position

Attest: \_\_\_\_\_  
Corporate Secretary

\_\_\_\_\_  
(Name Printed)

**Attachment A**

**CERTIFICATION REGARDING DEBARMENT**

This is to certify that this person/firm/corporation is not now debarred by the Federal Government or by the Commonwealth of Virginia or by any other state, or by any town, city, or county, from submitting Bids on contracts for construction covered by this solicitation, nor are they an agent of any person or entity that is now so debarred.

\_\_\_\_\_  
Name of Official

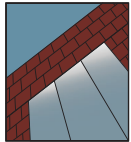
\_\_\_\_\_  
Title

\_\_\_\_\_  
Firm or Corporation

\_\_\_\_\_  
Date

# YES 45 TU Front

Thermally Broken, Front Set Storefront System



## STOREFRONT SYSTEM

### Product Description

YKK AP's family of storefront products is now more versatile with the addition of an energy efficient front set product. The YES 45 TU Front Set was designed for excellent thermal performance with standard\* Low E insulating glass. Hinged mullions coupled with 90° or 135° inside/outside corners allow creative freedom when curves and angles are part of the design.

The Glass is set to the front to maximize energy performance and blend with the aesthetics of curtain wall. The system can be glazed from either the interior or exterior as required.

### Product Options & Features

- Excellent thermal performance utilizing standard 1" insulating glass
- Patented ThermaBond Plus® thermal break
- Structural Silicone Glazed (SSG) Option
- High Performance Sill Flashing
  - ◆ No Blind Seals
  - ◆ Tall back leg for enhanced water resistance
  - ◆ Patented 3-point attachment of end dam
- Assembled with either our Screw Spline or Shear Block Technology

**U-Factor** Values as low as 0.32\*

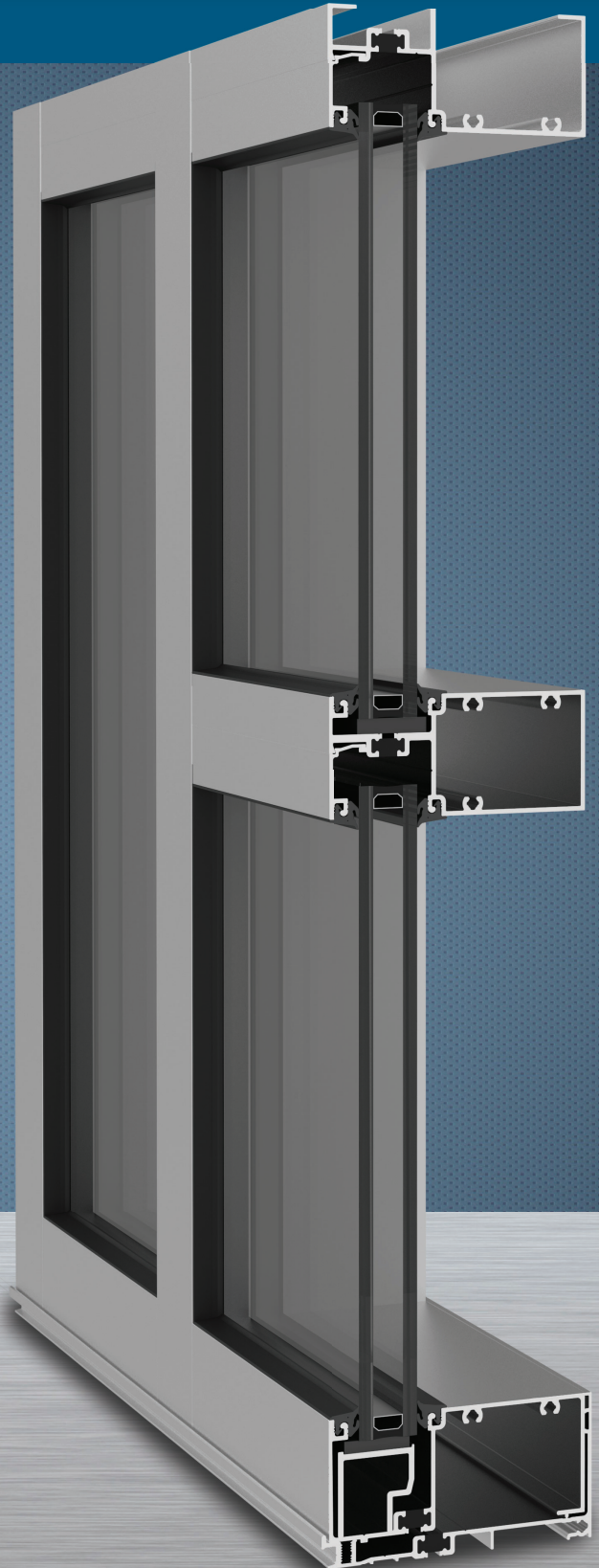
**CRF** Minimum 68<sub>frame</sub> & 64<sub>glass</sub>

\*Based on AAMA 507. Lower values may be achieved through further simulation.



**YKK  
ap**

Quality  
inspires®



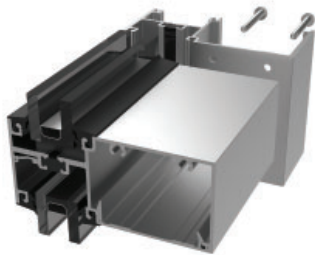
# YES 45 TU Front

## SYSTEM SPECIFICATIONS

System Sightline	Base Depth	Glazing & Config	Glass	Air Infiltration	Water Infiltration	Acoustical Performance
2"	4-1/2"	SSG, Inside or Outside & Front Set	1" IGU with Low-E (C.O.G. U-factor: 0.29)	0.06 CFM/FT <sup>2</sup> (1.10 m <sup>3</sup> /h·m <sup>2</sup> ) @ 6.24 PSF (299 Pa)	<b>Static:</b> 12 PSF (575 Pa)	<b>Std STC:</b> 32 <b>Std OITC:</b> 27
<b>Testing Standards</b>				ASTM E 283	ASTM E 331 & AAMA 501	ASTM E 90 & 1425
<b>Installation Options</b>				Screw Spline or Shear Block with Monolithic or Insulating Glass		
<b>Available Finishes</b>				Factory Anodized (AAMA 612) and Organic Paints (AAMA 2604 & AAMA 2605)		

Thermal Performance						
1" IGU	BTU/hr·ft <sup>2</sup> ·°F					
<b>C.O.G U-Factor</b>	0.30	0.28	0.26	0.24	0.22	0.20
<b>2" x 4-1/2"</b>	0.40	0.38	0.37	0.35	0.33	0.32
<b>Testing Standards</b>	AAMA 507					

CRF	
Frame	Glass
68	64
AAMA 1503	



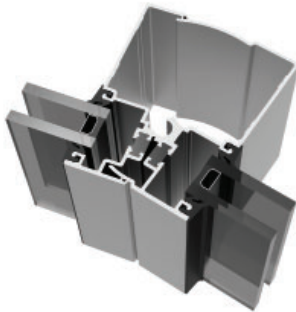
Outside Glazed Horizontal  
Screw Spline Assembly Shown



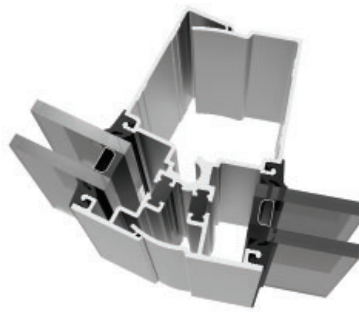
Inside Glazed Horizontal  
Shear Block Assembly Shown



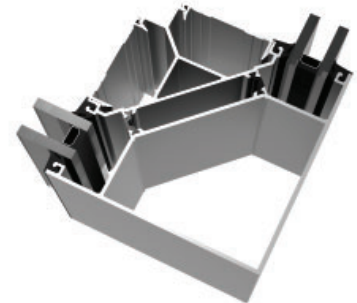
Expansion Mullion



0°- 12.5° Inside Hinged Mullion



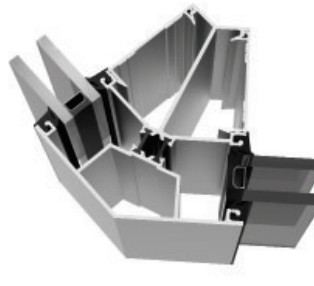
0°- 15° Outside Hinged Mullion



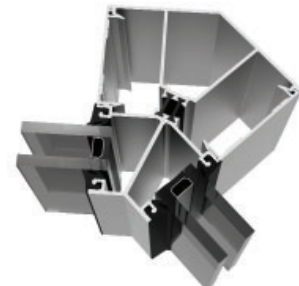
90° Outside Corner



90° Inside Corner

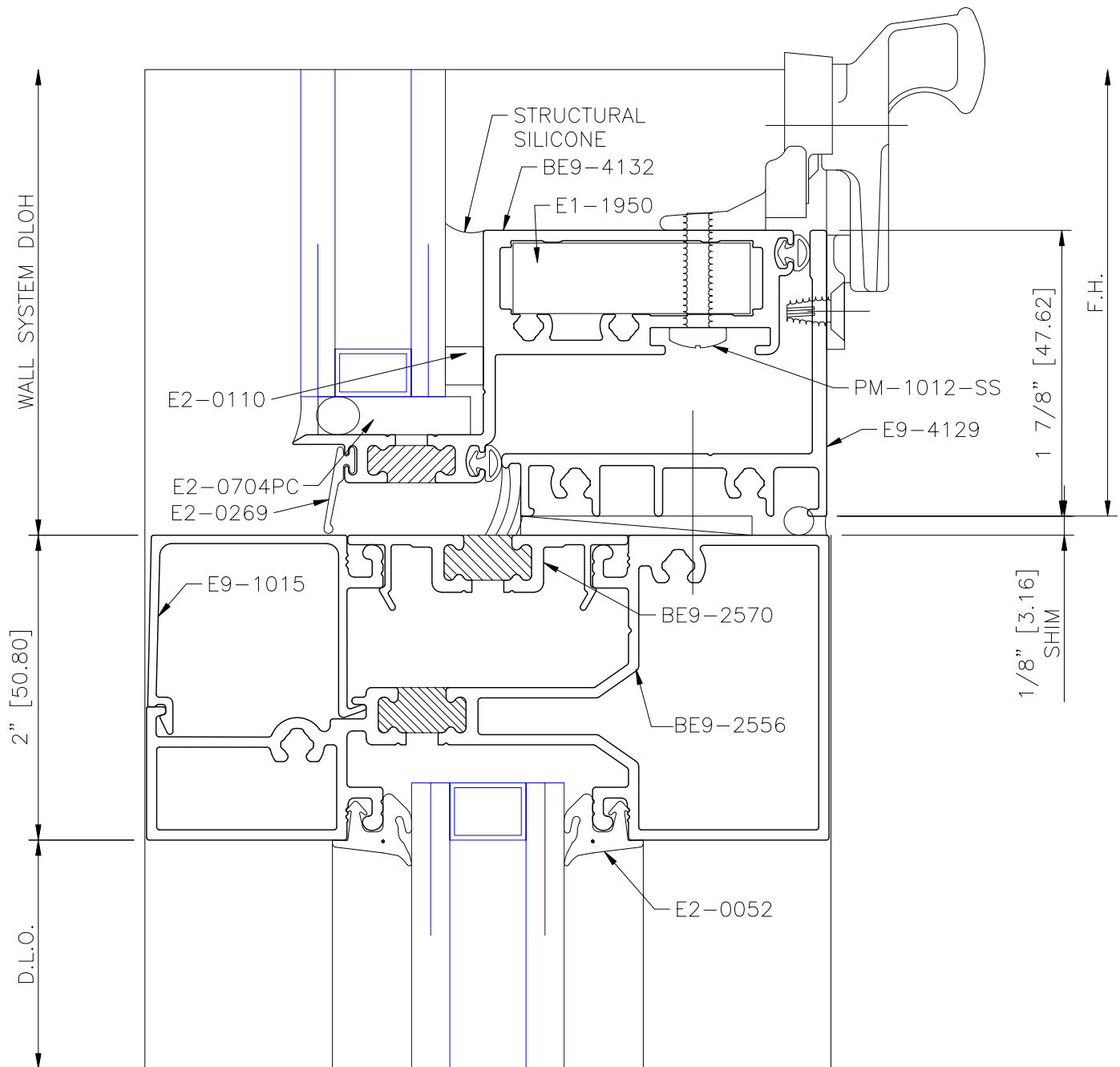


135° Outside Corner



135° Inside Corner

Additional information including CAD details, CSI specifications, Test Reports and Installation instructions are available online at:  
[www.ykkap.com/commercial/product/storefronts/yes-45-tu-front-set/](http://www.ykkap.com/commercial/product/storefronts/yes-45-tu-front-set/)



# YES SSG TU Vent

Zero Sightline, Thermally Broken Vent for Storefront and Wall Systems



## OPERABLE WINDOWS

### Bringing the Outside In

The YES Structural Silicone Glazed (SSG) TU Vent seamlessly blends with the surrounding framing system to become virtually invisible when viewed from a distance. This vent meets the 2012 International Energy Conservation Code (IECC) through Zone 6 with standard Low E (U = 0.29 COG). In addition to exceptional thermal performance and condensation resistance in a vent product, this system also provides AW PG 65 for advanced structural performance.

### Product Options & Features

- Glass is bonded to vent's frame without need for additional retainers, providing a clean look
- Designed for use with Storefront, Window Wall and Curtain Wall applications
- Thermally broken using ThermoBond Plus®
- Configurations: Casement Out or Project Out
- Better Thermal Performance with 1" IGU
- Factory glazing and screens available
- YKK AP Heavy Duty, Stainless Steel hinges and Standard White Bronze cast locking hardware
- Vent and Frame Multi-Point Locks available

**U-Factor** Values as low as 0.34\*

**CRF** Minimum 69<sub>frame</sub> & 69<sub>glass</sub>

\*Based on AAMA 507. Lower values may be achieved through further simulation.



**YKK  
ap**

Quality  
inspires®



# YES SSG TU Vent

## SYSTEM SPECIFICATIONS

System Sightline	Base Depth	Glazing	Air Infiltration	Water Infiltration	Acoustical Performance
0"	2-3/4"	1" IGU with Low-E (C.O.G. U-factor: 0.29)	0.10 CFM/FT <sup>2</sup> (1.85 m <sup>3</sup> /h·m <sup>2</sup> ) @ 6.24 PSF (299 Pa)	<b>Static:</b> 15 PSF (720 Pa) <b>Dynamic:</b> 15 PSF (720 Pa)	<b>Std STC:</b> 32 <b>Std OITC:</b> 25  <b>Lam STC:</b> 35 <b>Lam OITC:</b> 28
<b>Testing Standards</b>			ASTM E 283	ASTM E 331 & AAMA 501	ASTM E 90 & ASTM E 1425
<b>Structural Performance</b>			AAMA/WDMA/CSA 101/I.S.2/A440-11 AW Performance Grade 65		
<b>Available Finishes</b>			Factory Anodized (AAMA 612) and Organic Paints (AAMA 2604 & AAMA 2605)		

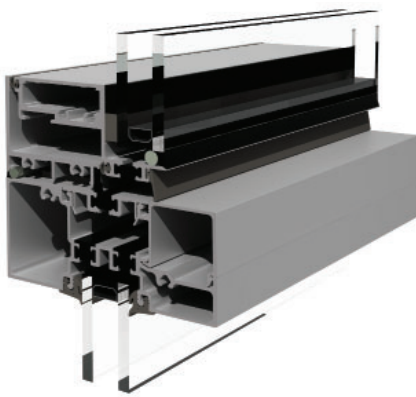
Thermal Performance						
1" IGU	BTU/hr·ft <sup>2</sup> ·°F					
<b>C.O.G U-Factor</b>	0.30	0.28	0.26	0.24	0.22	0.20
<b>Awning (Outswing)</b>	0.42	0.40	0.39	0.37	0.35	0.34
<b>Casement (Outswing)</b>	0.41	0.40	0.38	0.37	0.35	0.34
<b>Testing Standards</b>	AAMA 507					

CRF	
Frame	Glass
69	69
70	70
AAMA 1503	

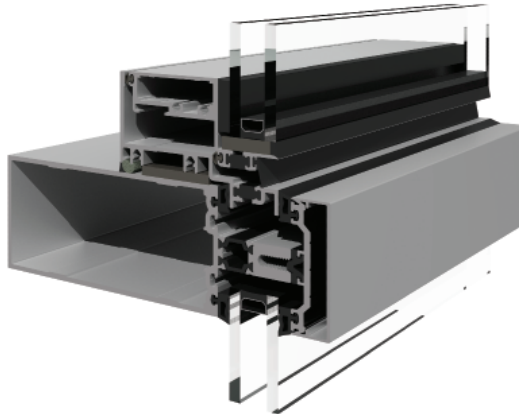
NOTE: Performance above is for the flat frame, contact YKK AP for pocket frame in curtain wall.

## DESIGN FLEXIBILITY

The YES SSG TU Vent is designed as a standard product offering with sizes up to 37" x 61" (or 61" x 37"). This thermally broken vent is compatible with YKK AP's most popular framing systems (examples below). Additional testing was conducted to support custom and oversize applications up to 70" x 66" with additional hardware and a pocket frame for curtain wall applications.



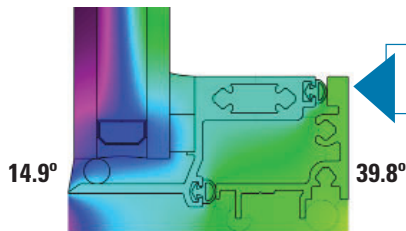
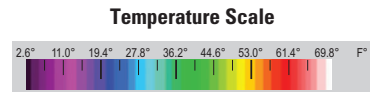
Flat Frame with YES 45 XT Storefront



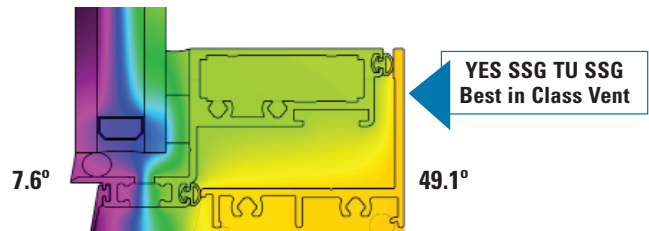
Pocket Frame with YCW 750 XT Curtain Wall

## THERMAL IMAGING

Frame temperature comparison values based on 0° exterior and 69.8° interior air temperatures.



Non-thermal YES SSG Vent



Thermal YES SSG TU Vent

Additional information including CAD details, CSI specifications, Test Reports and Installation instructions are available online at:

[www.ykkap.com/commercial/product/architectural-windows/yes-ssg-tu-vent/](http://www.ykkap.com/commercial/product/architectural-windows/yes-ssg-tu-vent/)

**ATTACHMENT C**

**CERTIFICATION OF COMPLIANCE WITH CODE OF VIRGINIA, §22.1-296.1**

I, \_\_\_\_\_, a duly authorized representative and officer of  
\_\_\_\_\_  
\_\_\_\_\_ (Contractor's name), in accordance with the Code  
of  
Virginia, §22.1-296.1, do certify that \_\_\_\_\_ (Contractor's  
name)

hereby certify that the employees, subcontractors, partners, and representatives who will be in direct contact with students (i) have not been convicted of a felony or any offense involving the sexual molestation or physical or sexual abuse or rape of a child; and (ii) has not been convicted of a crime of moral turpitude. "Direct contact with students" is defined as "being in the presence of students during regular school hours or during school-sponsored activities."

Any person making a materially false statement regarding any such offense shall be guilty of a Class 1 misdemeanor and, upon conviction, the fact of such conviction shall be grounds for the revocation of the contract to provide such services and, when relevant, the revocation of any license required to provide such services. NNPS shall not be liable for materially false statements regarding the certifications required by the state code.

Contractor is responsible for ensuring that each of its employees, subcontractors, partners, and representatives who will be in direct contact with students have certified the above and shall maintain such certifications on file for the duration of the contract period.

I do understand the above information and certify that the above statements are true.

\_\_\_\_\_  
(Contractor's Authorized Office – Signature)

\_\_\_\_\_  
(Contractor's Authorized Officer – Printed Name)

\_\_\_\_\_  
(Title)

\_\_\_\_\_  
(Date)



**ATTACHMENT D**

**CONTRACTOR QUESTIONNAIRE FORM**

The following questions shall be answered in full by the Bidder:

1. Name of Company: \_\_\_\_\_

Trade Name (if different from Company Name) \_\_\_\_\_

Principal Office Address: \_\_\_\_\_

\_\_\_\_\_

Telephone No (s). \_\_\_\_\_

Fax No(s). \_\_\_\_\_

Email Address(es) \_\_\_\_\_

a. If a Corporation, answer the following:

When \_\_\_\_\_ Incorporated: \_\_\_\_\_

What State: \_\_\_\_\_

Virginia State Corporation Commission # \_\_\_\_\_

b. If an Unincorporated Organization, answer the following:

Date of Organization: \_\_\_\_\_

Names and addresses of Owners or

Members: \_\_\_\_\_

Type and State of Organization: \_\_\_\_\_

c. If a Partnership, state whether the Partnership is General or Limited:

\_\_\_\_\_

Names and Addresses of Owners or Partners:

\_\_\_\_\_

\_\_\_\_\_

\_\_\_\_\_

**ATTACHMENT D**

2. Experience:
- a. How many years has this Bidder been in business as a Contractor under its present business name? \_\_\_\_\_
- b. What prior names of this Bidder, if any?  
\_\_\_\_\_

3. How many years experience in this type of construction work has this Bidder have?
- a. As a Contractor? \_\_\_\_\_
- b. As a Subcontractor? \_\_\_\_\_

4. Provide a list of uncompleted Contracts/Projects at present held by this Bidder? (attach supplemental sheet if necessary)

Contract/Project	Type of Work	Amount	% Complete

5. List the Bidder's crew foremen and supervisors proposed for this Project and their years of related experience:

Name	Years of Experience	Dates of Employment with Bidder

6. What construction equipment does this Bidder own that is available for the proposed work? (attach supplemental sheet if necessary)

\_\_\_\_\_

\_\_\_\_\_

\_\_\_\_\_

**ATTACHMENT D**

7. Does this Bidder plan to subcontract any part of this work? If so, list name, address, years' experience, and type and amount of work to be performed by each subcontractor. This section is optional for bidders to complete. Subcontractor list shall be reviewed and approved by the Owner within ten (10) days of issuance of the Notice of Award and before the Notice to Proceed is issued.

---



---



---



---



---



---

8. Provide a list of projects similar in character and scope to the Work specified under this Contract which have been successfully completed by this Bidder during the past three years. (attach supplemental sheet if necessary)

(The term "completed" means accepted and final payment received from the Owner or authorized representative)

Location & Type of Work	Owner's Name and Address	Contact person (name and telephone)	Date Completed	Contract Price

9. Have you ever performed work for a municipal corporation, local governing body, or similar agency previously? (If all such bodies are listed under 8, this question need not be completed.)

---



---



---

10. Bidder Responsibility:

- a. Has this Bidder ever failed to complete any work awarded to it? \_\_\_\_\_ If yes, give name of Owner, name of Bonding Company and circumstances:

---

**ATTACHMENT D**

b. Is this Bidder debarred by the Federal Government or by the Commonwealth of Virginia or by any other state, or by any town, city, or county?

Yes \_\_\_\_\_ No \_\_\_\_\_ If yes, please provide details:

\_\_\_\_\_  
\_\_\_\_\_  
\_\_\_\_\_

c. Has this Bidder ever had any judgements entered against it for breach of contract for construction? \_\_\_\_\_ if yes, please provide details:

\_\_\_\_\_  
\_\_\_\_\_  
\_\_\_\_\_

d. Give a summary of your financial statement. (List assets and liabilities, use an insert sheet if necessary)

\_\_\_\_\_  
\_\_\_\_\_  
\_\_\_\_\_  
\_\_\_\_\_  
\_\_\_\_\_

11. State approximate largest dollar volume of work performed by this Bidder in one year:

\_\_\_\_\_

12. Give two (2) Banking Institution References:

a. Name: \_\_\_\_\_

Address: \_\_\_\_\_

Credit Available: \_\_\_\_\_

b. Name: \_\_\_\_\_

Address: \_\_\_\_\_

Credit Available: \_\_\_\_\_

13. List three (3) material suppliers and amount of credit available:

a. Name: \_\_\_\_\_

Address: \_\_\_\_\_

Credit Available: \_\_\_\_\_

**ATTACHMENT D**

b. Name: \_\_\_\_\_  
Address: \_\_\_\_\_  
Credit Available: \_\_\_\_\_

c. Name: \_\_\_\_\_  
Address: \_\_\_\_\_ Credit  
Available: \_\_\_\_\_

14. List insurance coverage (attach certificate of insurance in required Project amount)

15. Bonding reference: List surety company and highest coverage:

\_\_\_\_\_

16. Have you or your authorized representative, personally inspected the location of the proposed Work, and do you have a clear understanding of the requirements of the Bid Documents?

\_\_\_\_\_

The undersigned hereby authorizes and consents to any person, firm or corporation to furnish any information requested by the Owner in verification of this statement of contractor's qualifications. Also, if it is the apparent low Bidder, the undersigned hereby agrees to furnish the Owner upon request, a complete and current financial statement:

Contractor: \_\_\_\_\_

By: \_\_\_\_\_ (Sign and Print Name)

Title: \_\_\_\_\_ Date